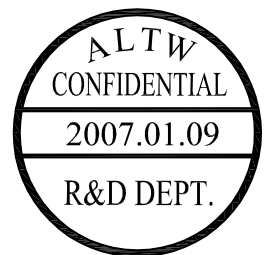
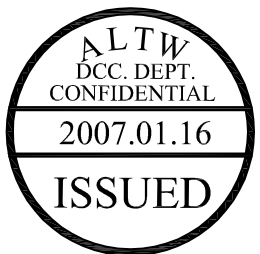
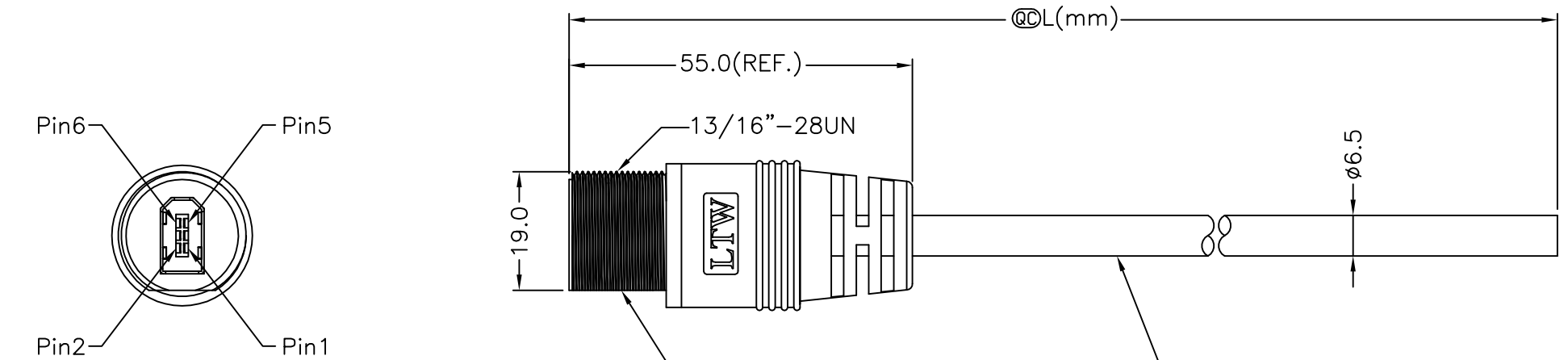
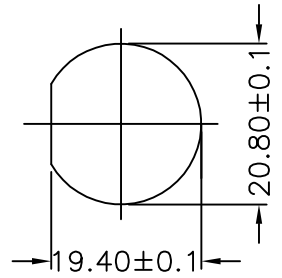


REV.	ECN NO.	DATE	SIGN	DESCRIPTION
A		2005/11/22	Kathy Huang	Change Rev.01 to Rev.A
B	LE3-710060~62	01/09/2007	Ronald B.	Change To New Format & Add Packaging.



13-AAAMFM-SL7AXX
 ↑
 XX:01~04Meter
 01:01Meter
 02:02Meters
 03:03Meters
 04:04Meters



Shell	Shell	
6	Blue	TPA
5	Orange	TPA ⁺
4	Green	TPB
3	Red	TPB ⁺
2	Black	VG
1	White	VP
Conn.	Wire Color	Signal

- Note:
- * @DL Important Dimension To Check.
 - * Waterproof Rate: IP67
 - * Connector: Black, ABS 94V-0, 1394, Copper Alloy, Gold Plated
 - * Cable: Black, UL20276 (1P*28AWG+AL+B)*2+2C
 *22AWG+Tran.Mylar+AL+B) OD=6.5
 - * Cable Length Tolerance: ±5%mm

Recommended Panel Cut-Out

UNIT:mm	TITLE IEEE 1394 Cable Male Conn, Female Pin		 <small>www.allconnectors.eu info@allconnectors.eu Tel. +49 (0)711 / 358 110 20 Fax +49 (0)711 / 358 110 25</small>	ITEM NO	DRAWN BY Ronald Bondoc	DATE 2007/01/09
TOLERANCE ±0.5 mm	SCALE Free	SHEET 1 OF 1		DWG NO 13-AAAMFM-SL7AXX	CHECKED BY Ronnel Malit	DATE 2007/01/10
REV. B	SIZE A4	@C : Inspection Item	CUSTOMER ALTW	APPROVED BY Win	DATE 2007/01/10	

THIS DOCUMENT IS SUBJECT TO CHANGE WITHOUT NOTICE. IT IS CONFIDENTIAL AND A PROPERTY OF Amphenol LTW. DISCLOSURE TO THIRD PARTY HAS TO BE AUTHORIZED BY Amphenol LTW.