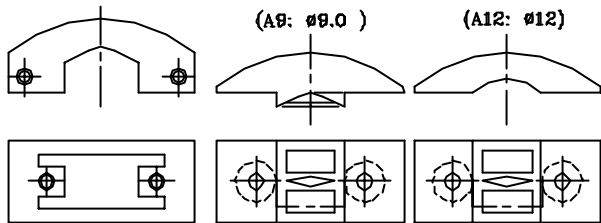


FEATURES:

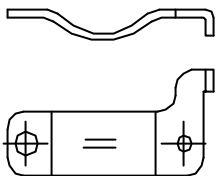
- 34 pos connection system
- Assembly hood Aluminum Alloy hood with jackscrews
- Fully EMI/RFI shielded

MATERIALS:

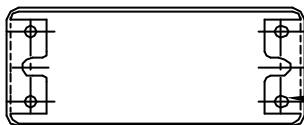
- Backshell: Plumbum alloy, nickel plated over copper
- Jackscrews: Steel, nickel plated over copper
- Round screws: Steel, nickel plated
- Flat screws: Steel, nickel plated
- Cable clipper: ABS (black) or aluminum



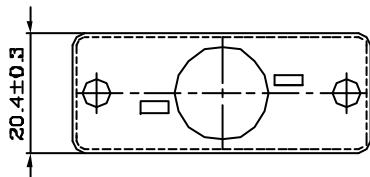
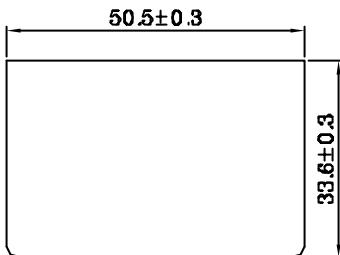
Cable Clipper: ABS
(Entry Hole: Ø6.6 or Ø10.7)



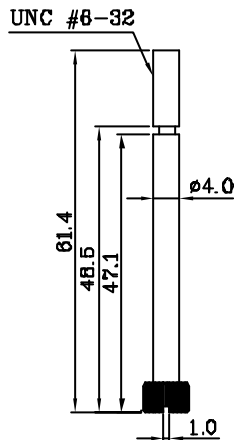
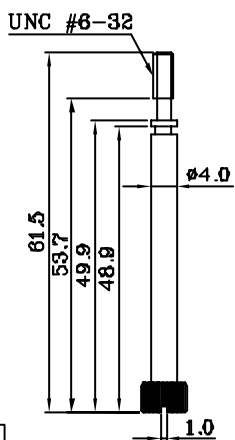
Cable Clipper: Aluminum
(2 Places)
(Entry Hole: MIN Ø7~MAX Ø14)



Thread Screw
M2.6*6
(4 Places)

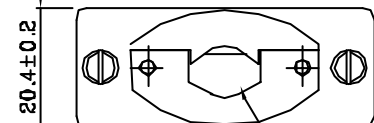
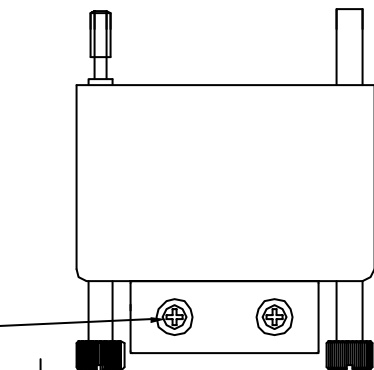


Aluminum alloy hood

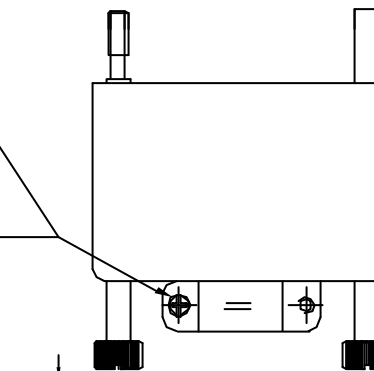


Flat Screw
M2.6*6
(2 Places)

Thread Screw
UNC #4-40*10
(2 Places)



A Type Entry Hole



B Type Entry Hole

All Connectors

www.allconnectors.eu | info@allconnectors.eu
Tel. +49 (0)711 / 358 110 20 | Fax +49 (0)711 / 358 110 25

PART NO. **V35-SHW-34**

DWG NO. **V35-SHW-34**

FILE NO.

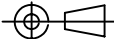
UNIT / mm

SCALE 1:1

CHECKED BY CY

DRAWING BY

PROJECTION



TOLERANCES ARE

.X ± 0.2

.XX ±

.XXX ±

AWG

DESCRIPTION:

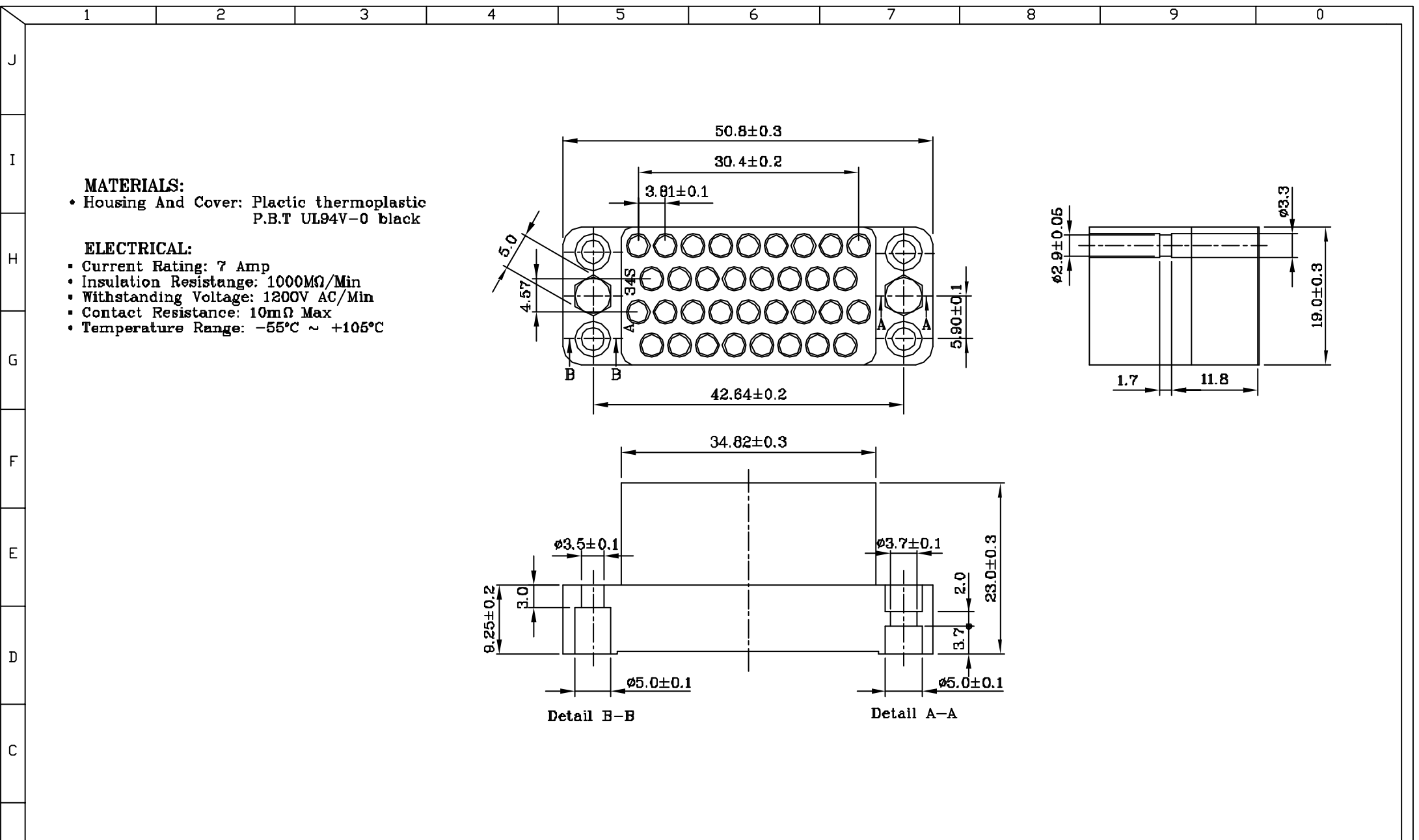
AREA

**CCITT V.35 Cable Connector
Shielded Backshell Kits
With Jackscrews**

REVISIONS

HK

DATE



MATERIALS:

- Housing And Cover: Plastic thermoplastic P.B.T UL94V-0 black

ELECTRICAL:

- Current Rating: 7 Amp
- Insulation Resistance: 1000MΩ/Min
- Withstanding Voltage: 1200V AC/Min
- Contact Resistance: 10mΩ Max
- Temperature Range: -55°C ~ +105°C

All Connectors

www.allconnectors.eu | info@allconnectors.eu
Tel. +49 (0)711 / 358 110 20 | Fax +49 (0)711 / 358 110 25

PART NO. **V35-SHW-34**

DWG NO. **V35-SHW-34**

CHECKED BY **CY**

TOLERANCES ARE

DESCRIPTION: **V.35 Female Housing**

FILE NO.

DRAWING BY

.X ± 0.2
.XX ±
.XXX ±
AWG

AREA	REVISIONS	HK	DATE
------	-----------	----	------

UNIT / mm SCALE 1:1

PROJECTION