

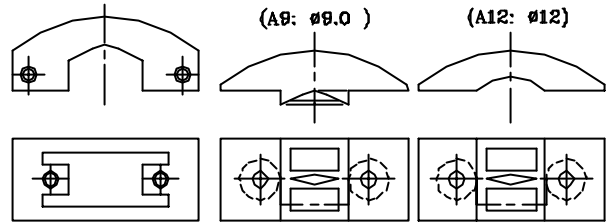
1 2 3 4 5 6 7 8 9 0

**FEATURES:**

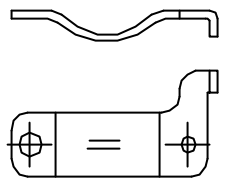
- 34 pos connection system
- Assembly hood Aluminum Alloy hood with jackscrews
- Fully EMI/RFI shielded

**MATERIALS:**

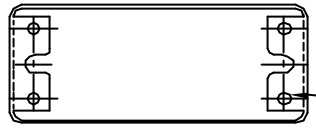
- Backshell: Plumbum alloy, nickel plated over copper
- Jackscrews: Steel, nickel plated over copper
- Round screws: Steel, nickel plated
- Flat screws: Steel, nickel plated
- Cable clipper: ABS (black) or aluminum



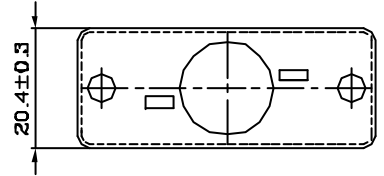
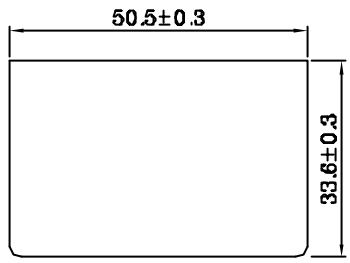
**Cable Clipper: ABS**  
(Entry Hole:  $\phi 6.6$  or  $\phi 10.7$ )



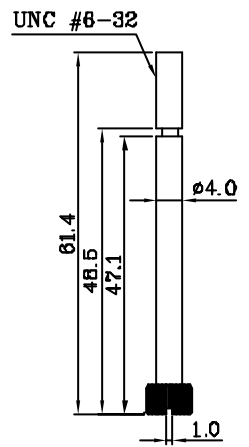
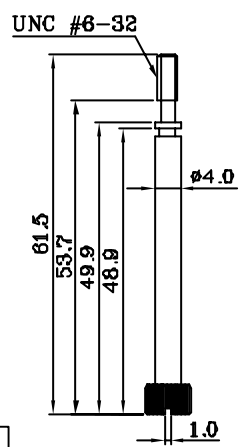
**Cable Clipper: Aluminum**  
(2 Places)  
(Entry Hole: MIN  $\phi 7$ ~MAX  $\phi 14$ )



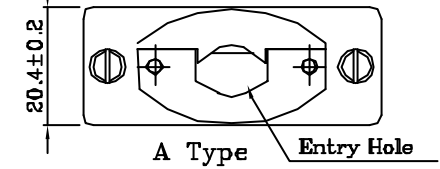
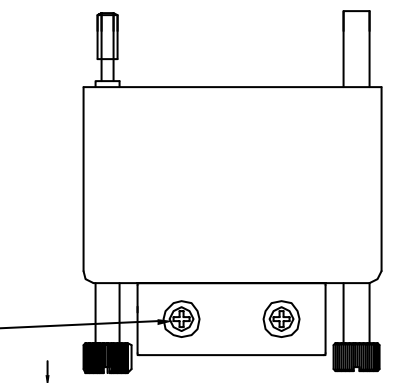
**Thread Screw**  
M2.6\*6  
(4 Places)



**Aluminum alloy hood**

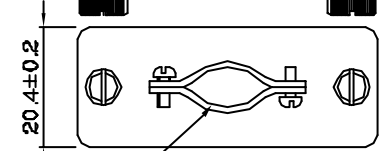
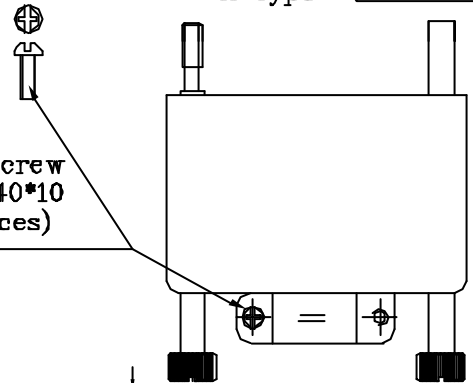


**Flat Screw**  
M2.6\*6  
(2 Places)



**A Type** Entry Hole

**Thread Screw**  
UNC #4-40\*10  
(2 Places)



**B Type** Entry Hole

**All Connectors**

www.allconnectors.eu | info@allconnectors.eu  
Tel. +49 (0)711 / 358 110 20 | Fax +49 (0)711 / 358 110 25

PART NO. **V35-PHW-34**

DWG NO. **V35-PHW-34**

FILE NO.

UNIT / mm

SCALE 1:1

CHECKED BY CY

DRAWING BY

PROJECTION

TOLERANCES ARE

.X ± 0.2  
.XX ±  
.XXX ±  
AWG

DESCRIPTION:

**CCITT V.35 Cable Connector  
Shielded Backshell Kits  
With Jackscrews**

AREA

REVISIONS

HK

DATE

B

C

D

E

F

G

H

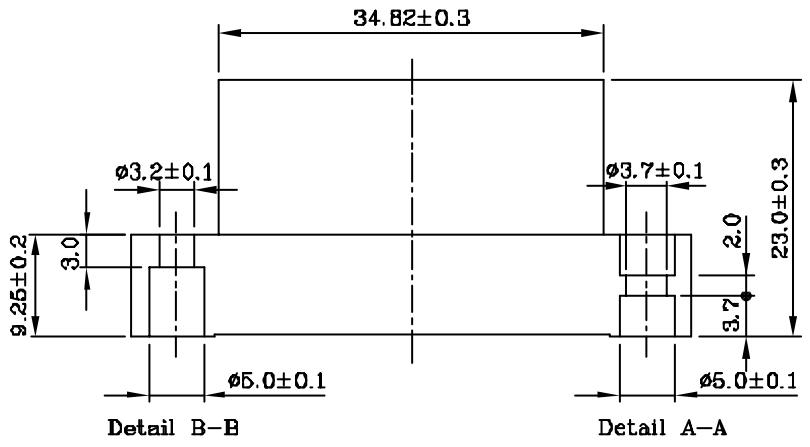
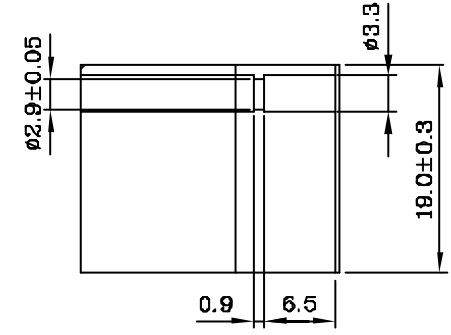
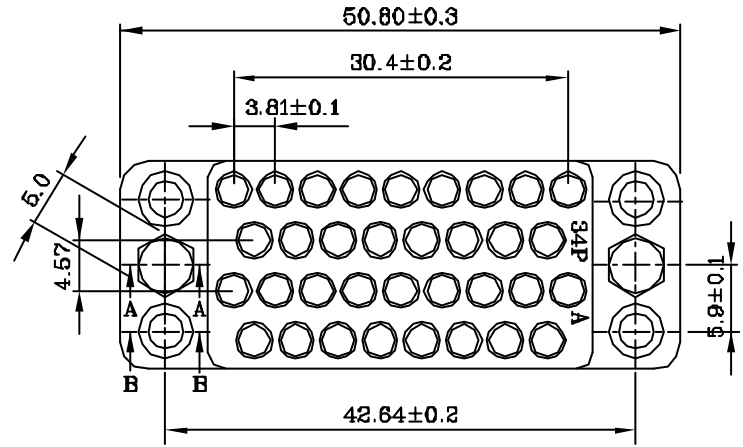
I

J

A

**MATERIALS:**  
 • Housing And Cover: Plastic thermoplastic  
 P.B.T UL94V-0 black

**ELECTRICAL:**  
 • Current Rating: 7 Amp  
 • Insulation Resistance: 1000MΩ/Min  
 • Withstanding Voltage: 1200V AC/Min  
 • Contact Resistance: 10mΩ Max  
 • Temperature Range: -55°C ~ +105°C



**Allconnectors**  
 www.allconnectors.eu | info@allconnectors.eu  
 Tel. +49 (0)711 / 358 110 20 | Fax +49 (0)711 / 358 110 25

PART NO. **V35-PHW-34**

DWG NO. **V35-PHW-34**

CHECKED BY **CY**

TOLERANCES ARE

DESCRIPTION:

FILE NO.

DRAWING BY

.X ± 0.2  
 .XX ±  
 .XXX ±  
 AWG

UNIT / mm

SCALE 1:1

PROJECTION

AREA

REVISIONS

HK

DATE