

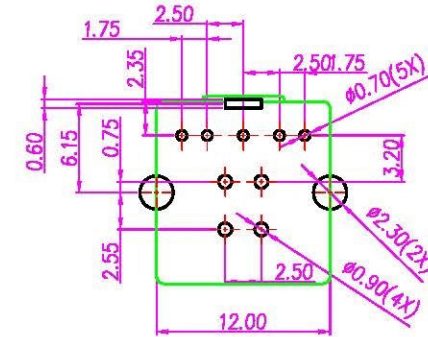
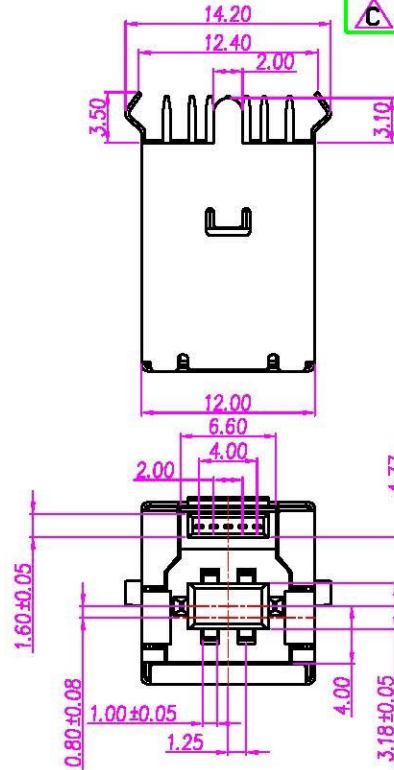
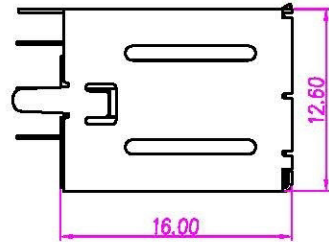
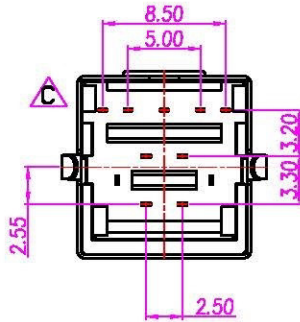
This document is the property of Nan-Yeong Corporation and is delivered on the express condition that it is not to be disclosed, reproduced or used, in whole or in part, for manufacture or sale by anyone other than Nan-Yeong Corporation without its prior consent, and that no right is granted to disclose or to use any information in this document.

CUSTOMER DRAWING

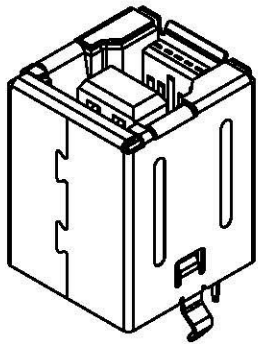
REV.	DESCRIPTION	APPROVED BY	DATE	ECN NO.
A	RELEASE	Fido Veng	10/12/10*	
B	ADD P/N	Emily Suen	31/12/10*	ECN11002
C	??????	Emily Suen	27/11/11*	ECN11015

TABLE A

B	US-09F3-10	AU 30u"
	US-09F3-09	AU 15u"
	P/N	CONTACT AREA PLATED



RECOMMENDED P.C.B LAYOUT



- MATERIAL :
 - 1-1. HOUSING : PBT ,UL94V-0; COLOR:BLUE
 - 1-2. CONTACT(USB 3.0) : BRASS
 - 1-3. CONTACT(USB 2.0): PHOSPHOR BRONZE
 - 1-6. SHELL : BRASS
- FINISH :
 - 2-1. CONTACT :
 - CONTACT AREA : SEE TABLE A
 - SOLDER AREA : MATTE-TIN
 - UNDER PLATE : NICKEL
 - 2-2. SHELL : NICKEL PLATED OVER ALL

- ELECTRICAL SPECIFICATION :
 - 3-1. Current Rating: 1.5A MAX PER PIN.
 - 3-2. Contact Resistance:
 - 30mOhm(Max) INITIAL FOR VBUS AND GND CONTACTS.
 - 50mOhm(Max) INITIAL FOR ALL OTHER CONTACTS.
- Environmental :
 - 4-1. Operation Temperature : 0°C~50°C

DRAWN	Jen Xie	APP'D	Emily Suen	UNIT	mm	TOLERANCE	All connectors		TITLE	USB3.0 B TYPE (F) DIP 180°			SHEET	
CHK'D	Emily Suen			SCALE	1:1	x ±0.20 xx ±0.10 xxx ±0.05 xxxx ±0.03 ANGULA ±1°		www.allconnectors.de TEL: 039 711 20904 4091 Hildesheim - Germany	info@allconnectors.de FAX: 039 711 20904 kempner@allconnectors.de	PART NO.	SEE TABLE A	DWG NO.	QC5007	
													VERSION	C