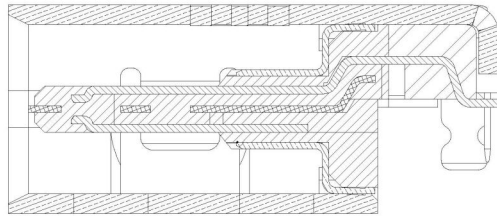
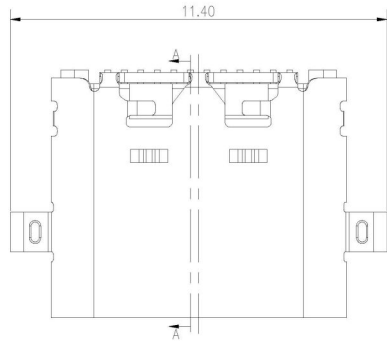
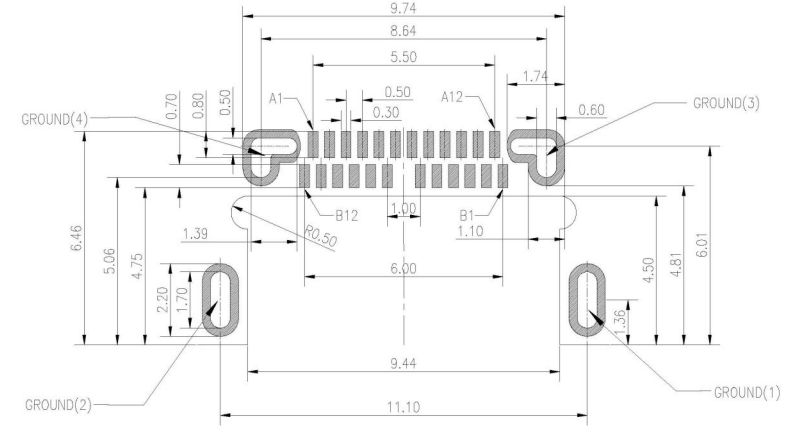


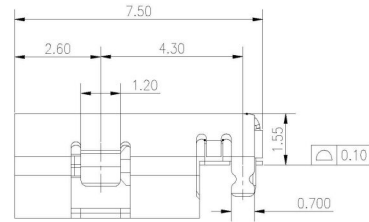
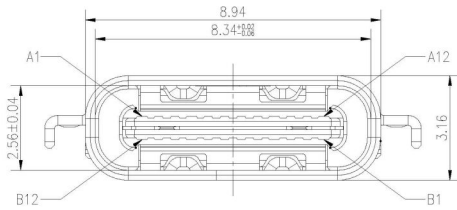
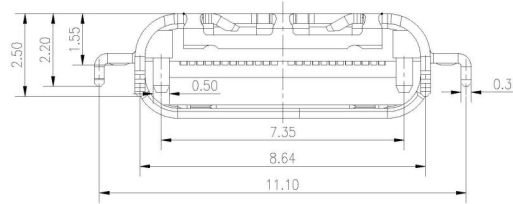
REV.	DATE	ECN NO.	MODIFICATION	APPROVER
A	2016/10/31	/	NEW	Vicky



SECTION A-A



RECOMMENDED PCB LAYOUT (THICKNESS: 0.80MM)  
PWB TOLERANCE: ±0.05



NOTE:

1. ELECTRICAL CHARACTERISTICS;

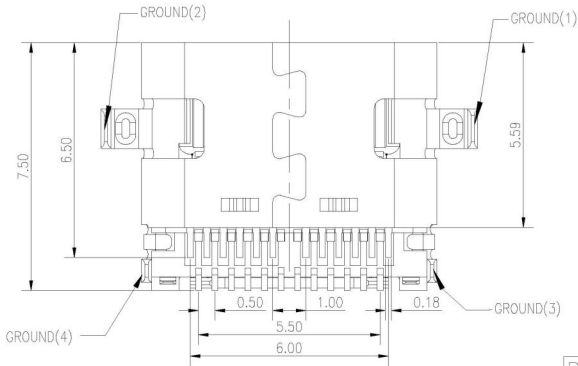
- 1.1 Current rating:  
5.0A max for (A1, A4, A9, A12, B1, B4, B9, B12);  
0.25A for other pin.
- 1.2 Contact resistance: 40mΩ max.
- 1.3 Dielectric withstanding voltage: 100V AC.
- 1.4 Insulation resistance: 100MΩ min.
- 1.5 Operating temperature: -40°C ~ +85°C.

2. MECHANICAL CHARACTERISTICS:

- 2.1 Insertion force: 5~20N.
- 2.2 Extraction force: 8~20N.
- 2.3 Durability mandatory: 10000 cycles.

3. MATERIALS:

- 3.1 Housing: High temperature plastic, UL94V-0, black.
- 3.2 Shell: Stainless steel, Ni all over.
- 3.3 Bottom-Terminal: Copper alloy, Au on contact area.
- 3.4 Top-Terminal: Copper alloy, Au on contact area.
- 3.5 Mid-plate: Stainless steel, Ni all over.
- 3.6 Top-EMC: Stainless steel, Ni all over.
- 3.7 Bottom-EMC: Stainless steel, Ni all over.



USB Type-C Receptacle Pin Assignments

Pin No.	Signal Name	Pin No.	Signal Name
A1, A12	GND	B1, B12	GND
A2	SSTXp1	B2	SSTXp2
A3	SSTXn1	B3	SSTXn2
A4, A9	Vbus	B4, B9	Vbus
A5	CC1	B5	CC2
A6	Dp1	B6	Dp2
A7	Dn1	B7	Dn2
A8	SBU1	B8	SBU2
A10	SSRXn2	B10	SSRXn1
A11	SSRXp2	B11	SSRXp1

GENERAL TOLERANCE				UNITS mm		
SELECT	✓			MAT'L	FINISH	Q'TY
TOL.	1	2	3			
ON.	X.XXX	±0.10	±0.05 ±0.15			
	X.XX	±0.15	±0.13 ±0.25			
	X.X	±0.25	±0.25 ±0.50			
	X.	±0.40	±0.38 ±1.00			
ANGLE	±3'					

NAME:	USB
PART NO:	USB624FC-C2014206
APPD:	Jason
CHKD:	Vicky
DR:	Cmy

www.allconnectors.de  
Tel.: 0049 711 709904  
70794 Filderstadt - Germany

info@allconnectors.de  
Fax: 0049 711 709904  
Kettnerstr. 25

TITLE: USB 3.1 24P FEMALE SMT C TYPE  
沉板式 外壳四脚插板 短体

DWG NO. A03440

SCALE	SHEET	REV
1:1	1/1	A