

5	6	7	8
REV.	DATE	ECN NO.	MODIFICATION
A	2010/01/15	/	NEW
			APPROVER
			Vicky

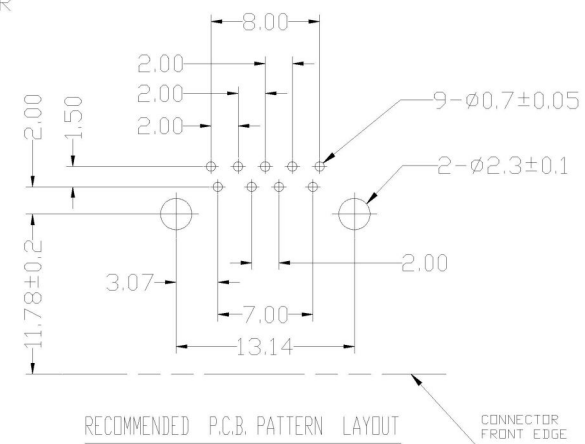
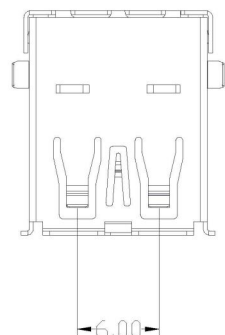
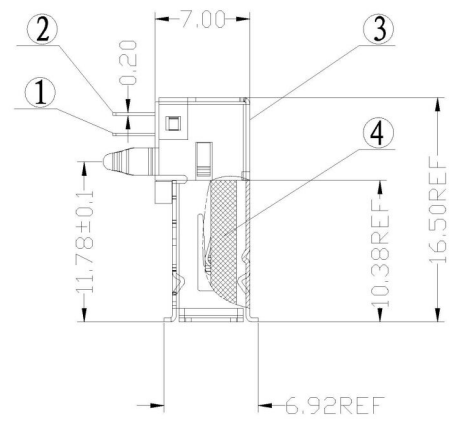
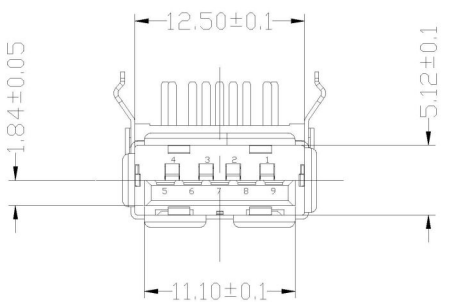
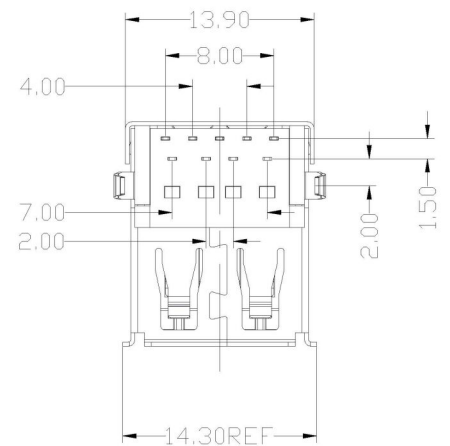
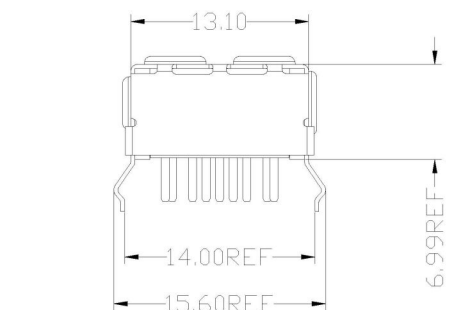
NOTE:

1.ELECTRIC:

- a.CONTACT RESISTANCE: 30 MILLIOHMS MAX
- b.INSULATION RESISTANCE: 1000 MEGA OHMS MIN
- c.DIELECTNIC VOLTAGE: 1.8A AT 250V AC MIN
- d.OPERATING TEMPERATURE: -55°C- 85°C

2.INSERTION FORCE:35N Max

EXTRACTION FORCE:10N MIN INITAL AND 8N MIN AFTER THE SPECIFIED



4	HOUSING	PBT	UL94V-0
3	SHELL	Brass	OVEP-PIATING: Ni Or Au
2	5P TERMINAL	Brass	OVEP-PIATING: Au Ni/Sn
1	4P TERMINAL	Phosphor Bronze	OVEP-PIATING: Au Ni/Sn
ITEM	DESCRIPTION	MATERIAL	REMARKS

GENERAL TOLERANCE			UNITS mm	NAME:	USB			
SELECT	✓			MAT'L	PART NO:	USB404FA-A1005303		
TOL.	1	2	3	FINISH	APPD:	Vicky		
ON:				Q'TY	CHKD:	Doris		
X.XXX		±0.05	±0.15		DR:	Cmy		
X.XX	±0.13	±0.13	±0.25		DWG NO.		A03136	
X.X	±0.15	±0.25	±0.50		SCALE		SHEET	REV
X.	±0.20	±0.38	±1.00		1:1		1/1	A
ANGLE	±2'							



TITLE: USB3.0 A/F 90°外壳弯脚 有卷边 PBT蓝胶