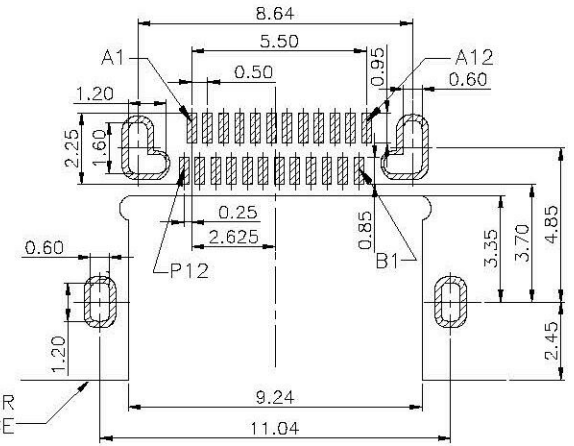
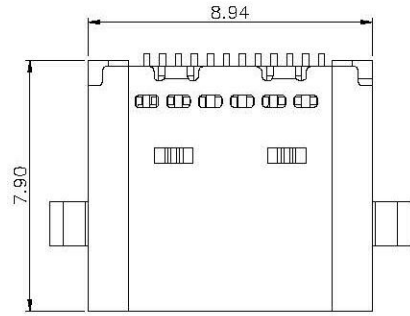
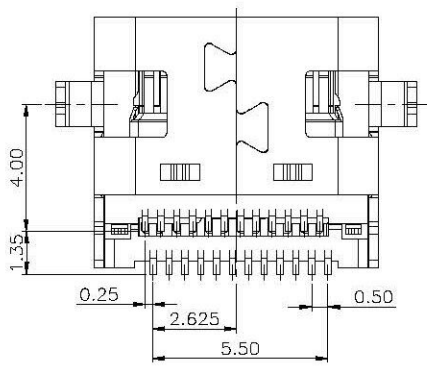
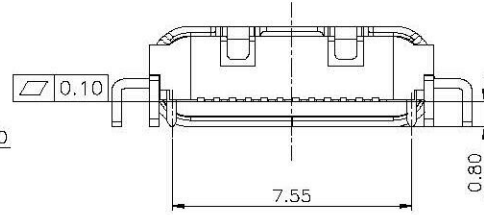
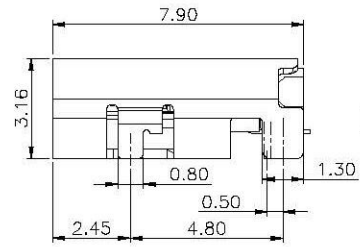
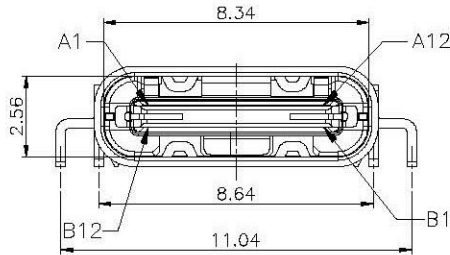


REV.	DATE	ECN NO.	MODIFICATION	APPROVER
A	2015/07/04	/	NEW	Vicky



RECOMMENDED P.C.B. LAYOUT
TOLERANCE UNSPECIFIED ±0.05mm

A1	GND	B12	GND
A2	SSTXP1	B11	SSRXP1
A3	SSTXN1	B10	SSRXN1
A4	VBUS	B9	VBUS
A5	CC1	B8	SBU2
A6	DP1	B7	DN2
A7	DN1	B6	DP2
A8	SBU1	B5	CC2
A9	VBUS	B4	VBUS
A10	SSRXN2	B3	SSTXN2
A11	SSRXP2	B2	SSTXP2
A12	GND	B1	GND
PIN	SIGNAL NAME	PIN	SIGNAL NAME



- NOTES:
SPECIFICATION:
- CURRENT RATING: 1.5A MAX
 - VOLTAGE: 100 VAC
 - TEMPERATURE RANGE: -30 °C ~ 85 °C
 - CONTACT RESISTANCE: 40 MILLIONHM MAX
 - INSULATION RESISTANCE: 100 MEGOHMS MIN.
 - INSERTION FORCE : 5N~20N
 - UNMATING FORCE: 8N~20N
 - DURABILITY: 10,000 CYCLES

NO.	DESCRIPTION	MATERIAL	REMARKS	QTY
5	SHELL	STAINLESS STEEL	NI/SN Plated	1PCS
4	SPRING	STAINLESS STEEL	---	1PCS
3	SHIELDING PLATE	STAINLESS STEEL	NI Plated	1PCS
2	CONTACT	COPPER ALLOY	Au/Ni Plated	1SET
1	HOUSING	HIGH TEMPERATURE PLASTIC	BLACK	1PCS

GENERAL TOLERANCE				UNITS	NAME:		Allconnectors		
SELECT	✓			mm	USB		www.allconnectors.com Tel: 0049 714 709508 Fax: 0049 714 709504 70794 Filderstadt - Germany		
ON.	TOL	1	2	3	MAT'L	PART NO:	TITLE: USB 3.1 24P FEMALE SMT C TYPE 沉板0.8 外壳四脚插板		
X.XXX			±0.06	±0.15	FINISH	APPD:	Vicky		
X.XX		±0.25	±0.13	±0.25	Q'TY	CHKD:	Doris		
X.X		±0.30	±0.25	±0.50		DR:	Jillian		
X.			±0.38	±1.00			DWG NO. A02960		
ANGLE		±2'					SCALE SHEET REV		
							1:1 1/1 A		