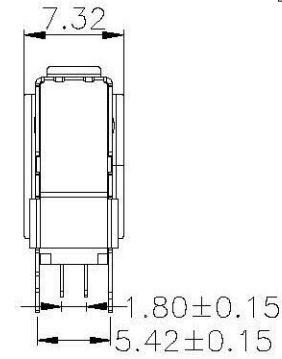
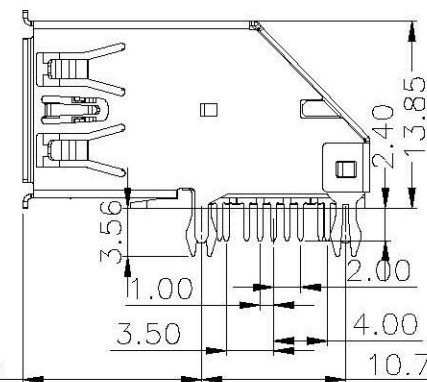
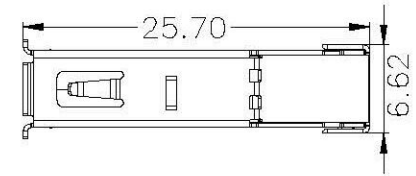
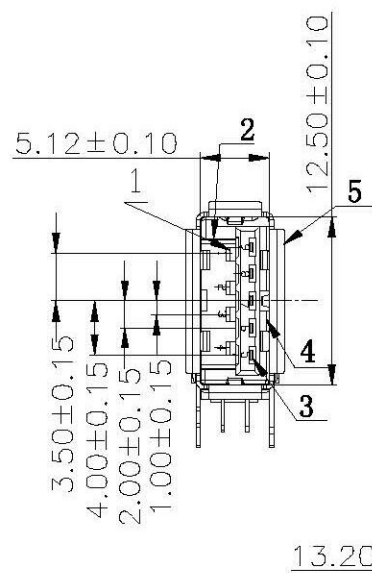
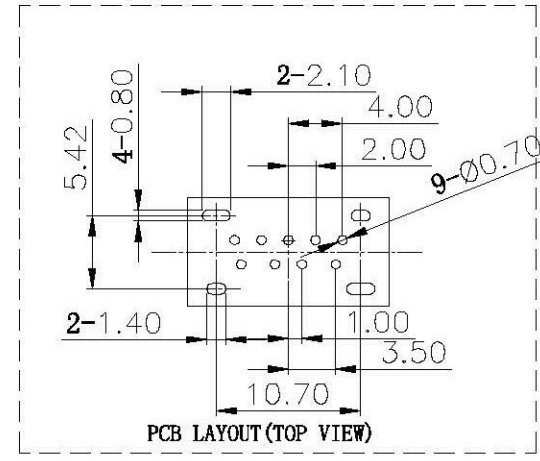
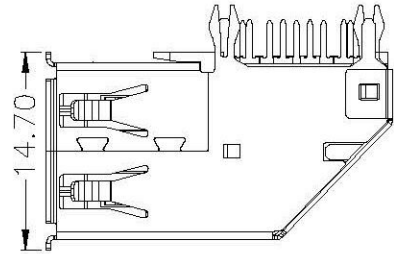


5	6	7	8
REV.	DATE	ECN NO.	MODIFICATION
A	2010/02/16	/	NEW
			APPROVER
			Vicky



SPECIFICATIONS:  
 Contact current Rating:  
 1.8 Amperes for pin1&pin4.  
 0.25 Amperes other contacts  
 Dielectric Withstanding Voltage:AC 100V(RMS)  
 Insulation resistance:100Megohms Minimum.  
 Contact Resistance:  
 30mΩ Vcx for pin1&pin4  
 50mΩMax for other contacts  
 Mechanical Characteristics:  
 Mating Force:35 Newtons.Maximum  
 Unmating Force:10 Newtons.Mlimum.  
 operating Temperature:-55iäto+85iä

Pin Number	Signal Name	Pin Number	Signal Name
1	VBUS	5	SSRX-
2	D-	6	SSRX+
3	D+	7	GND
4	GND	8	SSTX-
Shell	Shield	9	SSRT+

ITEM	PART NAME	Material	Q'TY	REMARK
1	4P Semi-	Housing PBT	1	Blue UL94V-0
2	manufactured Goods	Contact COPPER ALLOY	4	T=0.25 Plating Gld/Tin
3	5P Semi-	Housing PBT	1	Blue UL94V-0
4	manufactured Goods	Contact COPPER ALLOY	5	T=0.25 Plating Gld/Tin
5	Shell	SUS304	1	T=0.3

GENERAL TOLERANCE	SELECT	✓			UNITS mm	NAME:	USB	 <small>www.allconnectors.de info@allconnectors.de</small> <small>Tel: 0049 731 7095205 Fax: 0049 731 7095204</small> <small>90964 Hildesheim, Germany Hildesheim, DE</small>
	ON.	TOL	1	2		3	PART NO:	
	X.XXX	±0.15	±0.06	±0.15	MAT'L	APPD:	Vicky	TITLE: USB3.0 A/F 9P DIP 90°侧插 斜体 蓝胶
	X.XX	±0.20	±0.13	±0.25		FINISH	CHKD:	
	X.X	±0.25	±0.25	±0.50	Q'TY	DR:	Hindy	 SCALE SHEET REV 1:1 1/1 A
	X.	±0.30	±0.38	±1.00		ANGLE	±5°	