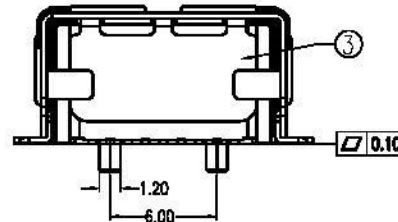
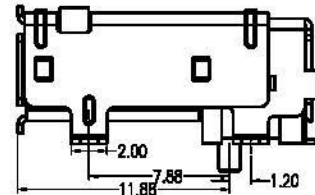
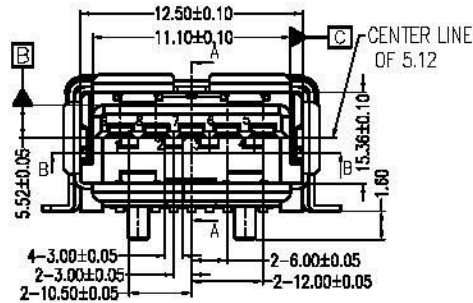
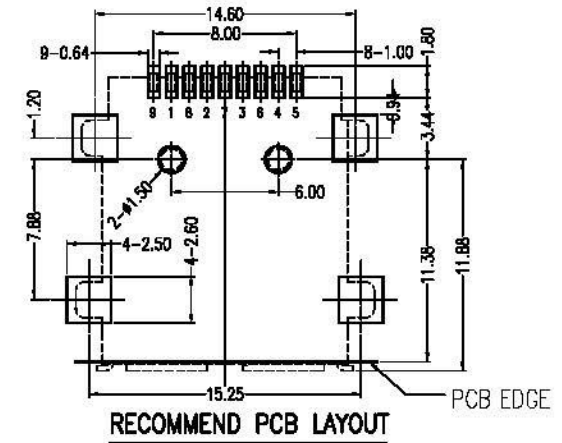
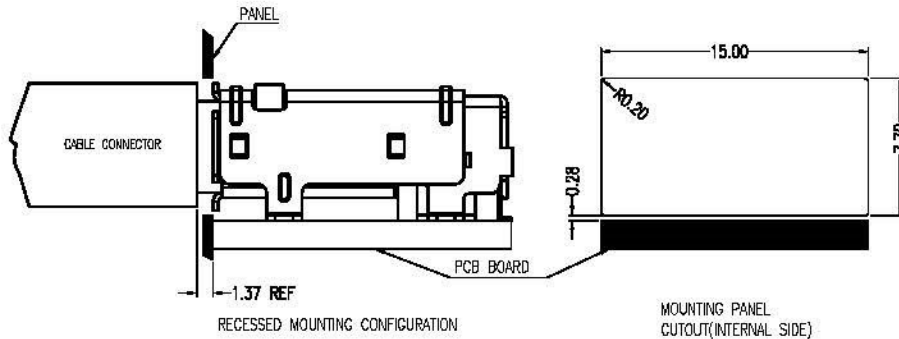


ITEM	DESC.	MATERIAL	REMARKS
5	OUT SHELL	STEEL	OVER-PLATING: Ni 80~200u"
4	PLASTIC PARTS	LCP UL94V-0	30% G/F ,Blue
3	SHELL	STAINLESS STEEL 201	OVER-PLATING: Ni 40u"
2	4P TERMINAL	PHOSPHOR BRONZE C5191	CONTACT AREA:30u" SOLDER AREA:Sn 80u"
1	5P TERMINAL	BRASS C2680	UNDER-PLATING: Ni 50u"



Pin Assignments	
Pin No.	Signal Name
1	VBUS
2	D-
3	D+
4	GND
5	StdA SSRX-
6	StdA SSRX+
7	GND DRAIN
8	StdA SSTX-
9	StdA SSTX+
Shell	Shield



Product Number	Description
209B-SG01	USB3.0 A Receptacle, SMT Type ,Contact:30u" Gold Plating

UNLESS OTHERWISE SPECIFIED TOLERANCE		
ANGLES	ANG.	±5°
LINEAR	0.	±0.3
	0.0	±0.25
	0.00	±0.20
SCALE	AS SHOWN	UNIT: mm
DRAWN	Willis	2013/03/12
CHECKED	Angel	2013/03/12
APPROVED	Ken	2013/03/12

**All Connectors**  
[www.allconnectors.com](http://www.allconnectors.com)  
 info@allconnectors.com  
 Tel: 0049 211 205500  
 Fax: 0049 211 205504  
 70724 Tübingenstadt - Germany  
 Kettensch. 25

△ Revise:										
△ Revise:										
△ Revise:										
PRODUCT NO.	209B-SG01		DRAWN NAME:	USB 3.0 A Receptacle SMT Type		FILE NAME	209B-SG01_B_3			

REV.	DESCRIPTION	DATE	REV.	DESCRIPTION	DATE	SIZE	REV.	FILE NAME
1			4			A4	1.0	209B-SG01_B_3