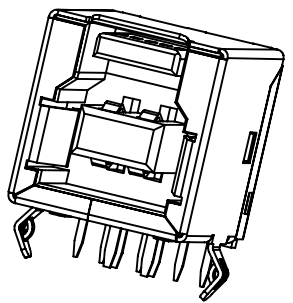
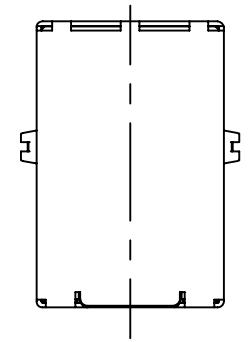
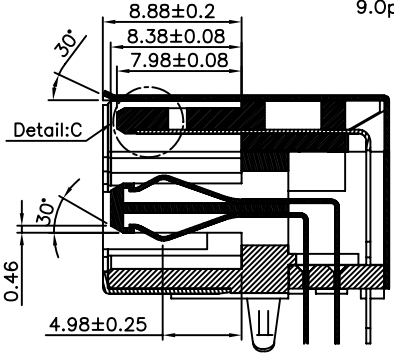
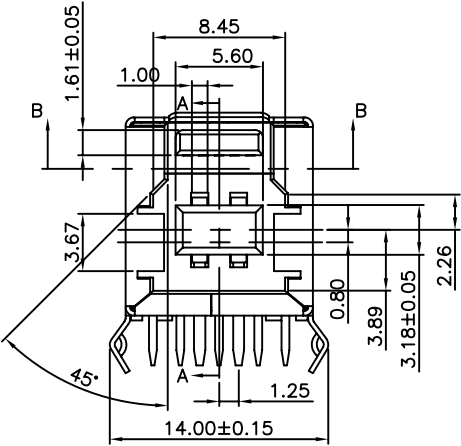
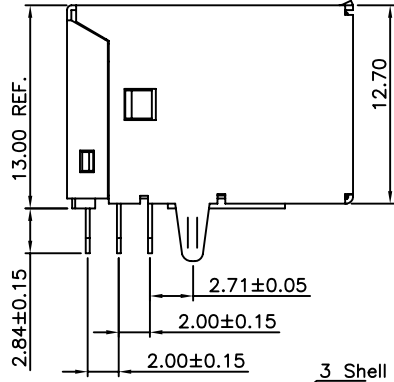


Section B-B

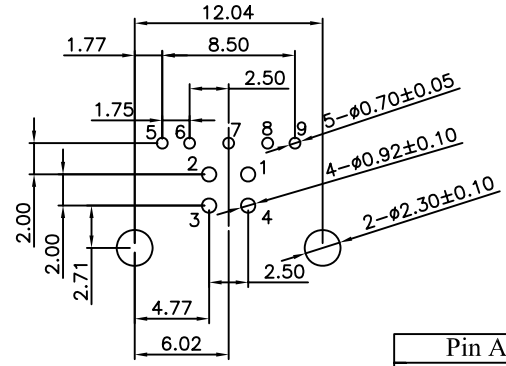


No	Part Name	Material	Final
1	Housing	LCP ,Color: Blue	
2	1~9 Pin Contact	Phosphor Bronze,t=0.25	
3	Shell	Brass	Nickel Plated

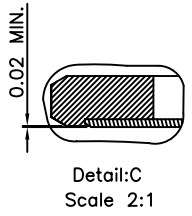
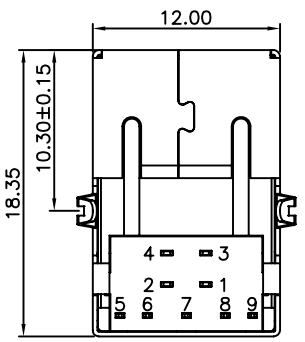
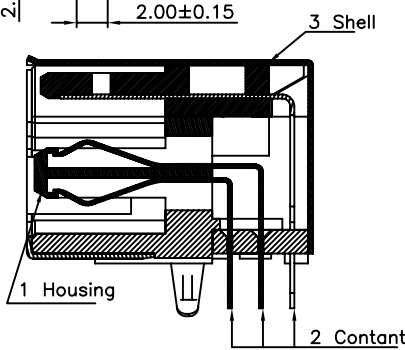
Material and Finish:
 1.Insulator Material: LCP,UL94V-0,Color:Blue
 2.Contact Material: Phosphor Bronze
 3.Contact Plated:
 Contact Area Plated: 30u" Gold Plated
 Solder Area Plated: 120u" Tin Plated
 Underplated: 30u" Nickel Plated
 6.Shell Material: SPCC
 7.Shell Plated: 30u" Nickel Plated
 6.Current Rating: 1.8A AC/DC
 7.Contact Resistance: 30m ohms Max.
 8.Insulation Resistance: 100m ohms Min.
 9.Operation Temperature: -55°C to +85°C



Section B-B



Recommended P.C.B Layout



Detail:C
Scale 2:1

Pin Assignments	
Pin No.	Signal Name
1	VBUS
2	D-
3	D+
4	GND
5	StdB_SSTX-
6	StdB_SSTX+
7	GND_DRAIN
8	StdD_SSRX-
9	StdB_SSRX+
Shell	Shield

Product Number	Description
209D-DG01	USB3.0 B Receptacle, DIP Standard Type ,30u" Gold Plating

UNLESS OTHERWISE SPECIFIED TOLERANCE	
ANG.	±5°
0.	±0.3
.0	±0.25
.00	±0.20



SCALE:	AS SHOWN	UNIT:	mm
DRAWN	Willis	2010/03/29	
CHECKED	Angel	2010/03/29	
APPROVED	Ken	2010/03/29	

DRAWN NAME:	USB 3.0 B Receptacle DIP Standard Type
PRODUCT NO.	209D-DG01
FILE NAME:	209D-DG01_B_1

REV.	DESCRIPTION	DATE	SIZE	REV.
1			A4	