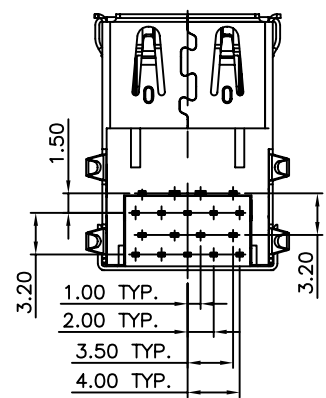
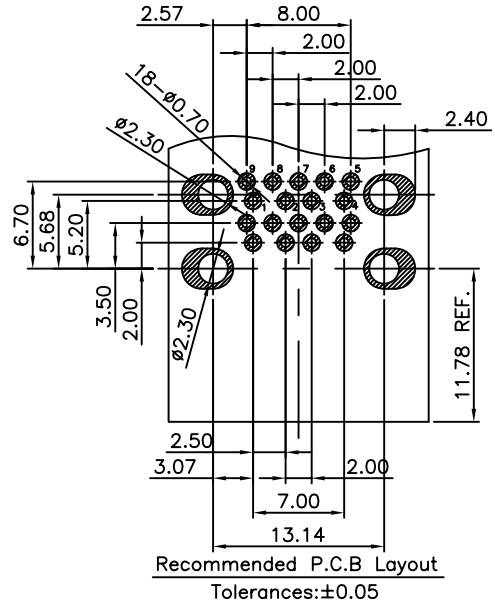
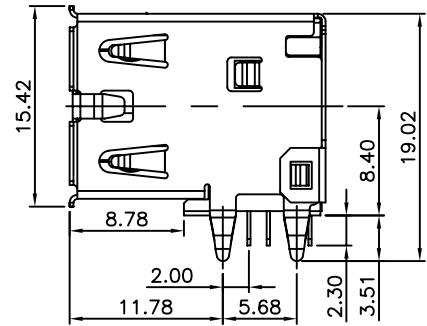
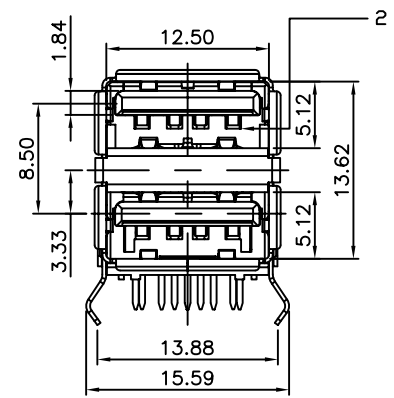


No	Part Name	Material	Final
1	Housing	Nylon-9T,Color: Blue	
2	Pin Contact	Phosphor Bronze,t=0.25	
3	Shell	Brass	Tin Plated

Material and Finish:

1. Insulator Material: Nylon-9T,UL94V-0,Color:Blue
2. Contact Material: Phosphor Bronze
3. Contact Plated:
Contact Area Plated: Gold Flash Over 30u" Pd-Ni
Solder Area Plated: 100~200u" Tin Plated
4. Shell Material: Phosphor Bronze
5. Shell Plated: Tin Plated
6. Current Rating: 1.8 Amps.
7. Contact Resistance: 30m ohms Max.
8. Insulation Resistance: 100M ohms Min.
9. Dielectric Withstanding Voltage: 100V AC/minute



Pin Assignments	
Pin No.	Signal Name
1	VBUS
2	D-
3	D+
4	GND
5	StdA_SSRX-
6	StdA_SSRX+
7	GND_DRAIN
8	StdA_SSTX-
9	StdA_SSTX+
Shell	Shield

Product Number	Description
209B-DG03	USB3.0 A Receptacle, Dual Port DIP type ,Gold Flash Over 30u" Pd-Ni

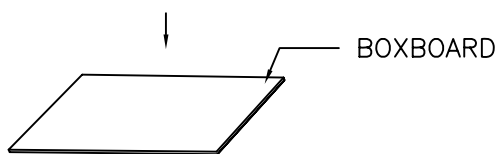
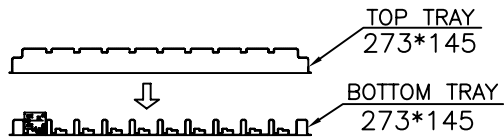
UNLESS OTHERWISE SPECIFIED TOLERANCE	
ANG.	±5°
0.	±0.3
.0	±0.25
.00	±0.20



SCALE:	AS SHOWN	UNIT:	mm
DRAWN	Willis	2010/03/29	
CHECKED	Angel	2010/03/29	
APPROVED	Ken	2010/03/29	

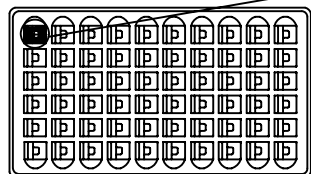
DRAWN NAME:	USB 3.0 A Receptacle Dual Port DIP Type
PRODUCT NO.	209B-DG03
FILE NAME:	209B-DG03_B_1

REV.	DESCRIPTION	DATE	SIZE	REV.
1			A4	

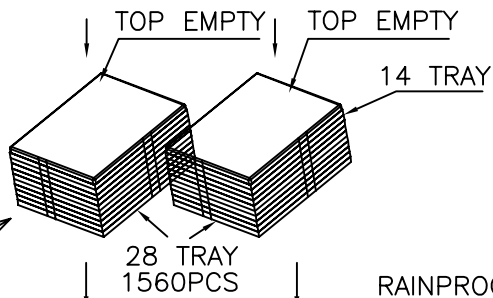


NOTE:
PACKING: 60PCS/TRAY, 1560PCS/26TRAY/CARTON

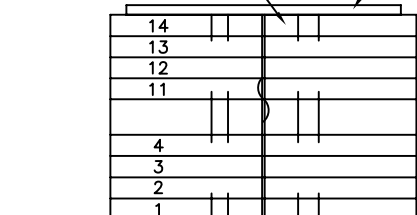
All Material in According With The Rohs
Environment Related Substances List Controlled.



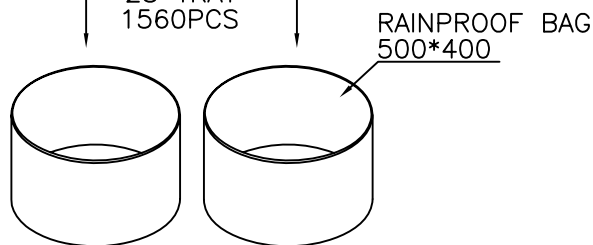
60PCS/TRAY.26TRAY/CARTON
(1560PCS/CARTON)



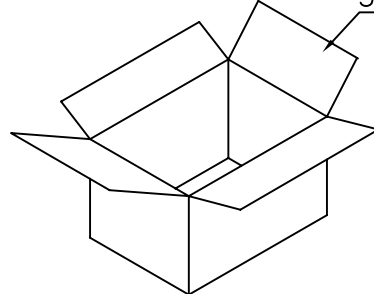
TOP LAYER IS EMPTY 780PCS/BAG



13 TRAY 780 PCS



CARTON
350*340*320



(1560PCS/CARTON)

UNLESS OTHERWISE
SPECIFIED TOLERANCE

ANG. ±5
0. ±0.3
.0 ±0.25
.00 ±0.20

All Connectors

www.allconnectors.eu | info@allconnectors.eu
Tel: +49 (0)711 / 358 110 20 | Fax +49 (0)711 / 358 110 25

SCALE: AS SHOWN UNIT: mm

DRAWN Willis 2010/03/29

CHECKED Angel 2010/03/29

APPROVED Ken 2010/03/29

DRAWN NAME:
USB 3.0 A Receptacle Dual Port DIP Type

PRODUCT NO. 209B-DG03

FILE NAME: 209B-DG03_D_1

REV.	DESCRIPTION	DATE	SIZE	REV.
1			A4	