

No	Part Name	Material	Final
1	Housing	Nylon-9T,Color: Blue	
2	1~9 Pin Contact	Phosphor Bronze,t=0.25	
3	Shell	Brass	Nickel Plated

Material and Finish:

1. Insulator Material: Nylon-9T, UL94V-0, Color: Blue
2. Contact Material: Phosphor Bronze
3. Contact Plated:
 Contact Aear Plated: Gold Flash Over 30u" Pd-Ni
 Solder Aear Plated: 100~200u" Tin Plated
 Underplated: 50~100u" Nickel Plated
4. Shell Material: Brass
5. Shell Plated: Nickel Plated
6. Current Rating: 1.8 Amps Max.
7. Voltage Rating: 250V AC.
8. Contact Resistance: 30M ohm Max.
9. Insulation Resistance: 100M ohms Min.
10. Dielectric Withstanding Voltage: 100V AC/minute
11. Operating Temperature: -20°C to +85°C

Pin Assignments	
Pin No.	Signal Name
1	VBUS
2	D-
3	D+
4	GND
5	StdA_SSRX-
6	StdA_SSRX+
7	GND_DRAIN
8	StdA_SSTX-
9	StdA_SSTX+
Shell	Shield

Product Number	Description
209B-DG02	USB3.0 A Receptacle, Middle Board Mount DIP type ,Gold Flash Over 30u" Pd-Ni

UNLESS OTHERWISE SPECIFIED TOLERANCE

ANG.	±5°
0.	±0.3
.0	±0.25
.00	±0.20

SCALE: AS SHOWN UNIT: mm

DRAWN Willis 2010/03/29

CHECKED Angel 2010/03/29

APPROVED Ken 2010/03/29

All Connectors

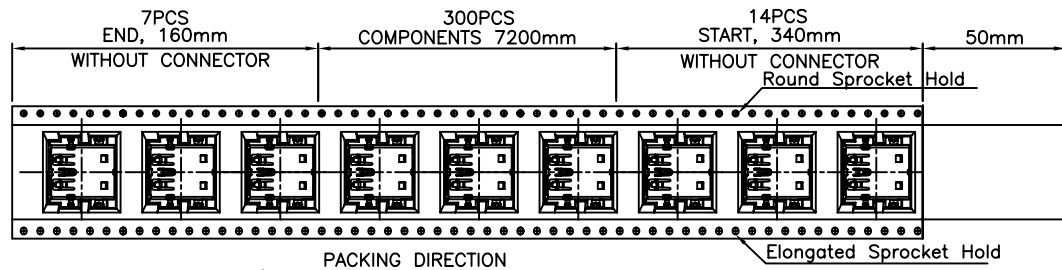
www.allconnectors.eu | info@allconnectors.eu
Tel: +49 (0)711 / 358 110 20 | Fax: +49 (0)711 / 358 110 25

DRAWN NAME:
USB 3.0 A Receptacle
Middle Board Mount DIP Type

PRODUCT NO. 209B-DG02

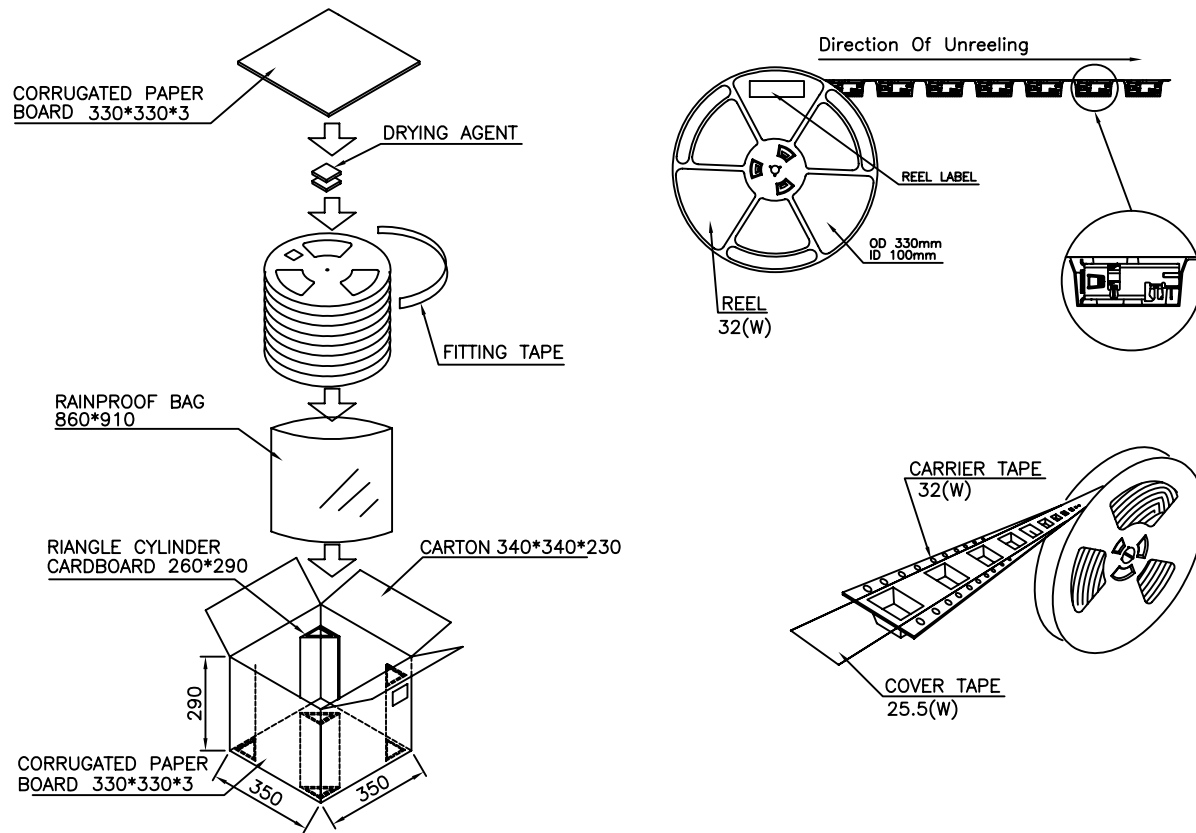
FILE NAME: 209B-DG02_B_1

REV.	DESCRIPTION	DATE	SIZE	REV.
1			A4	



NOTE:
PACKING: 300PCS/REEL, 1500PCS/5REEL/CARTON

All Material in According With The Rohs
Environment Related Substances List Controlled.



UNLESS OTHERWISE SPECIFIED TOLERANCE	
ANG.	±5
0.	±0.3
.0	±0.25
.00	±0.20
SCALE: AS SHOWN	UNIT: mm
DRAWN Willis	2010/03/29
CHECKED Angel	2010/03/29
APPROVED Ken	2010/03/29
DATE	SIZE A4

Allconnectors
www.allconnectors.eu | info@allconnectors.eu
Tel: +49 (0)711 / 358 110 20 | Fax: +49 (0)711 / 358 110 25

DRAWN NAME: USB 3.0 A Receptacle Middle Board Mount DIP Type
PRODUCT NO. 209B-DG02
FILE NAME: 209B-DG02_D_1

REV.	DESCRIPTION	DATE
1		
2		
3		
4		
5		
6		
7		
8		
9		
10		