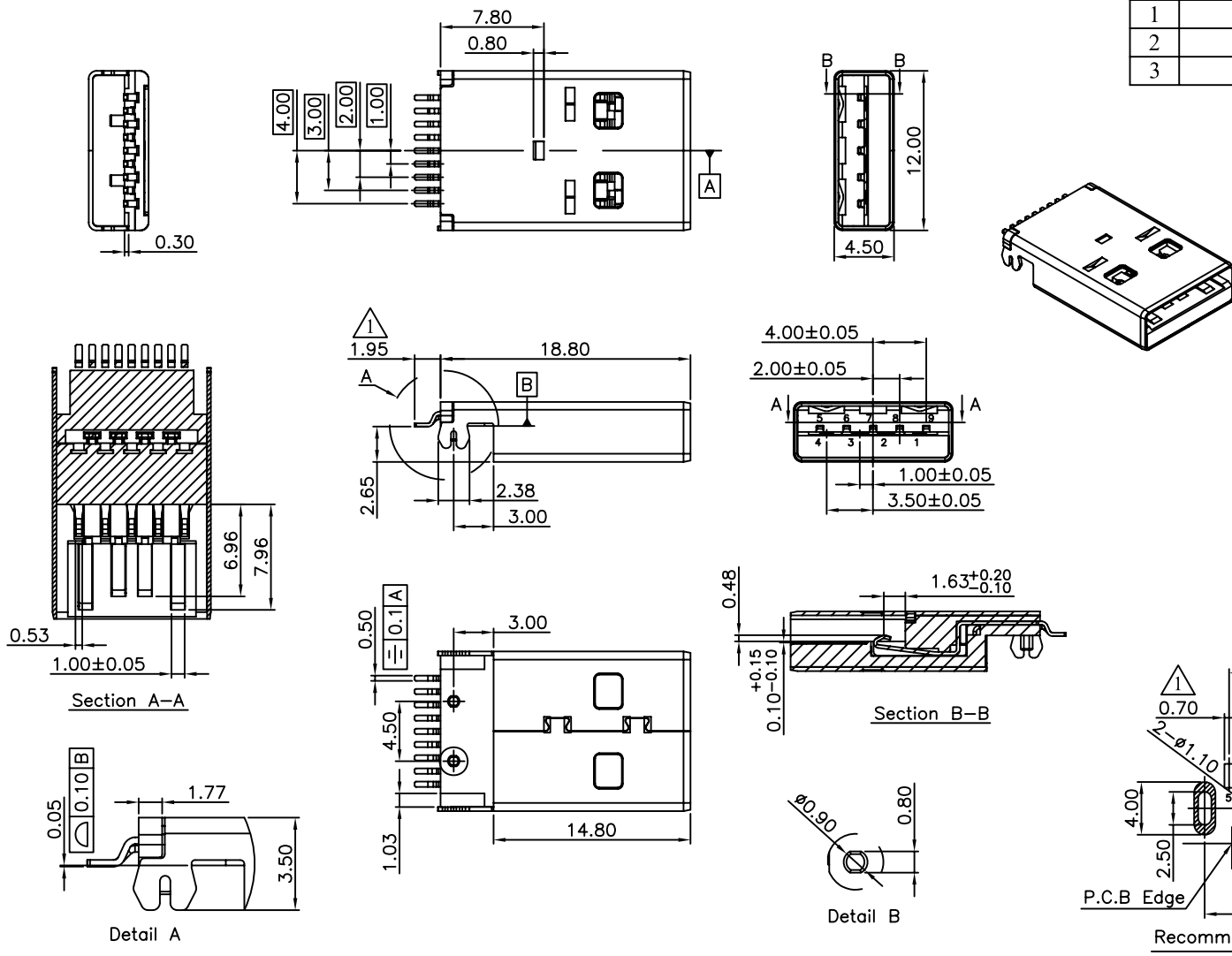


| No | Part Name | Material | Final |
|----|-----------|----------------------|------------|
| 1 | Housing | Nylon-9T,Color: Blue | |
| 2 | Contact | Phosphor Bronze | |
| 3 | Shell | SPCC | Tin Plated |

- Material and Finish:
- ⚠ 1. Insulator Material: Nylon-9T, UL94V-0, Color: Blue
 - 2. Contact Material: Phosphor Bronze
 - 3. Contact Plated:
Contact Aear Plated: Gold Flash Over 30u" Pd-Ni
Solder Aear Plated: 100~200u" Tin Plated
Underplated: 80u" Nickel Plated
 - ⚠ 4. Shell Material: SPCC
 - 5. Shell Plated: Tin Plated
 - 6. Current Rating: 1.8 Amps Max.
 - 7. Voltage Rating: 250V AC.
 - 8. Contact Resistance: 30M ohm Max.
 - 9. Insulation Resistance: 100M ohms Min.
 - 10. Dielectric Withstanding Voltage: 100V AC/minute
 - 11. Operating Temperature: -20°C to +85°C



| Pin Assignments | |
|-----------------|-------------|
| Pin No. | Signal Name |
| 1 | VBUS |
| 2 | D- |
| 3 | D+ |
| 4 | GND |
| 5 | StdA_SSRX- |
| 6 | StdA_SSRX+ |
| 7 | GND_DRAIN |
| 8 | StdA_SSTX- |
| 9 | StdA_SSTX+ |
| Shell | Shield |

| Product Number | Description |
|----------------|---|
| 209A-SG03 | USB3.0 A Plug, Middle Board Mount SMD Type. Offset 2.65mm ,Gold Flash Over 30u" Pd-Ni |

| UNLESS OTHERWISE SPECIFIED TOLERANCE | |
|--------------------------------------|-------|
| ANG. | ±5 |
| 0. | ±0.3 |
| .0 | ±0.25 |
| .00 | ±0.20 |

All Connectors
www.allconnectors.eu | info@allconnectors.eu
 Tel. +49 (0)711 / 358 110 20 | Fax +49 (0)711 / 358 110 25

| | | | |
|----------|----------|------------|----|
| SCALE: | AS SHOWN | UNIT: | mm |
| DRAWN | Willis | 2010/05/06 | |
| CHECKED | Angel | 2010/05/06 | |
| APPROVED | Ken | 2010/05/06 | |

DRAWN NAME:
 USB 3.0 A Plug SMT Type
 Middle Board Mount .Offset 2.65mm

PRODUCT NO. 209A-SG03

FILE NAME: 209A-SG03_B_2

⚠ 1 Revise: Solder Pad, Housing Material, Shell Plated, PCB Layout

| REV. | DESCRIPTION | DATE | SIZE | REV. | FILE NAME: |
|------|-------------|------------|------|------|---------------|
| 1 | | 2010/05/06 | A4 | | 209A-SG03_B_2 |