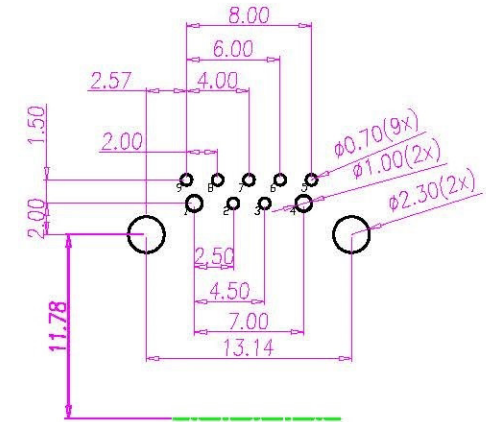
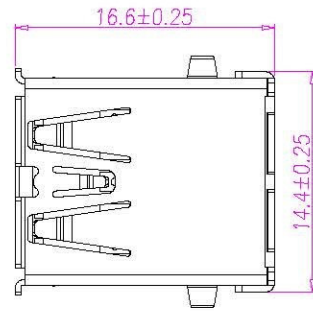


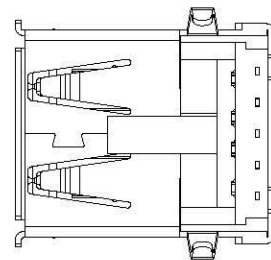
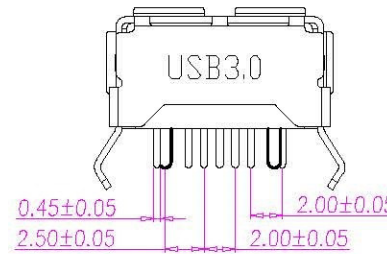
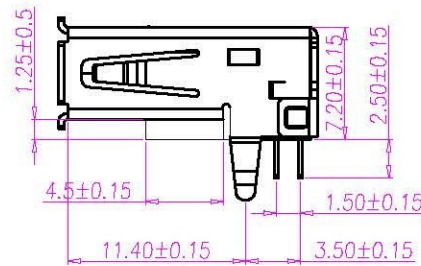
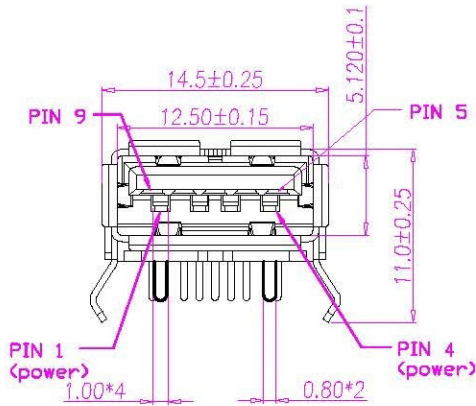
This document is the property of Nan-Yeong Corporation and is delivered on the express condition that it is not to be disclosed, reproduced or used, in whole or in part, for manufacture or sale by anyone other than Nan-Yeong Corporation without its prior consent, and that no right is granted to disclose or to use any information in this document.

CUSTOMER DRAWING

REV.	DESCRIPTION	APPVL. BY	DATE	ECN NO.
A	RELEASE	Fido Veng	10/03/11	
B				
C				



REFERENCE PCB LAYOUT



NOTE:

- MATERIAL**
 - .HOUSING : GLASS FILLED HEAT-RESISTED RESIN,UL94V-0.
 - .SPACER : GLASS FILLED HEAT-RESISTED RESIN,UL94V-0.
 - .TERMINAL : COPPER ALLOY.
 - .SHIELD : COPPER ALLOY
 - .REAR SHIELD : COPPER ALLOY
- PLATING**
 - TERMINAL<CONTACT AREA> GOLD 15u".
 - <SOLDER TAIL AREA> GOLD FLASH.
 - <UNDER-PLATING> NICKEL.
 - SHELL PLATING: NICKEL
 - REAR SHELL PLATING: NICKEL
- MECHANICAL CHARACTERISTICS:**
 - .INSERTION FORCE:35N(MAX)
 - .EXTRACTION FORCE:8N(MIN) AFTER DURABILITY CYCLES
 - .DURABILITY CYCLE:1500 CYCLES;
- ELECTRICAL CHARACTERISTICS:**
 - .CURRENT RATING: 1.5A ; PIN 1& PIN4 : 5A MAX
 - .VOLTAGE RATING: 30VAC (R.M.S.)
 - .CONTACT RESISTANCE:30m OHMS MAX;
 - .INSULATION RESISTANCE.
 - a:UNMATED:100M OHMS MIN.
 - b:MATED:100M OHMS MIN .
 - .DIELECTRIC WITHSTANDING VOLTAGE:100V AC/1MINUTE
 - .OPERATING TEMPERATURE:-55°C ~ +85°C
 - .STORAGE TEMPERATURE:-40°C ~ +80°C.
 - .OPERATION /STORAGE HUMIDITY:95% OR LESS.

DRAW	Jen Xie	APPVL	Emily Suen	UNIT	MM	TOLERANCE		TITLE	USB 3.0 A TYPE(F) 插 DIP 90 度(鍍金15u") (5A)			SHEET	
CHECK	Emily Suen	SCALE	1:1	XX	±0.20	www.allconnectors.de		PART NO.	US-09F3-12	DWG NO.	QC5415	VERSION	