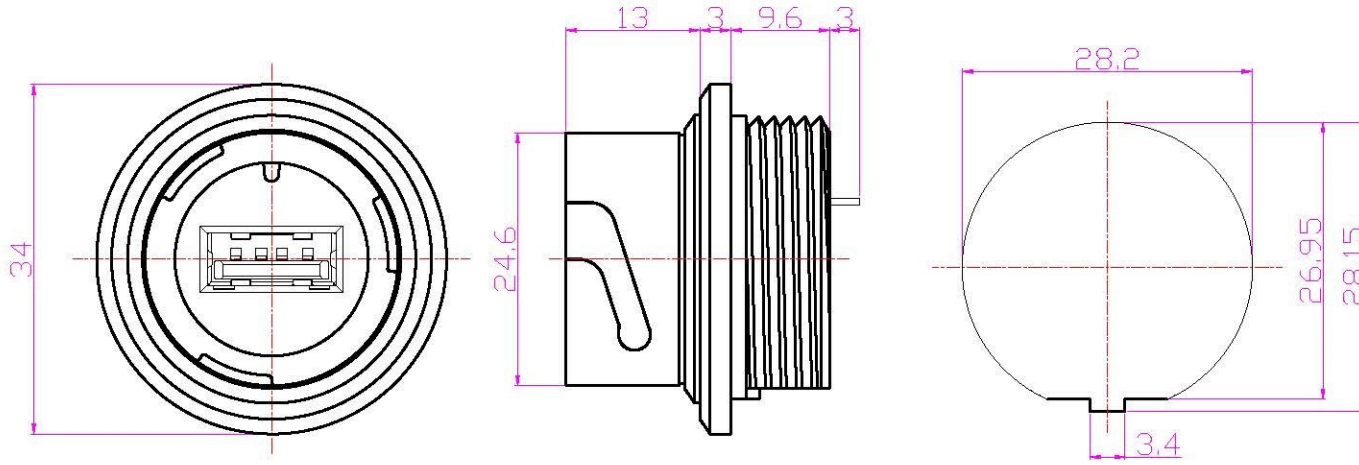


This document is the property of Nan-Yeong Corporation and is delivered on the express condition that it is not to be disclosed, reproduced or used, in whole or in part, for manufacture or sale by anyone other than Nan-Yeong Corporation without its prior consent, and that no right is granted to disclose or to use any information in this document.

CUSTOMER DRAWING

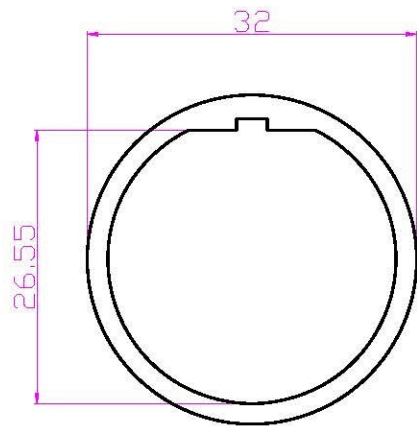
REV.	DESCRIPTION	APPROVED BY	DATE	ECN NO.
A				
B				
C				



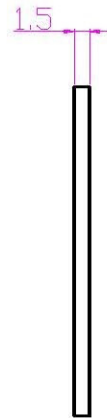
PANEL CUT-OUT

MATERIAL :

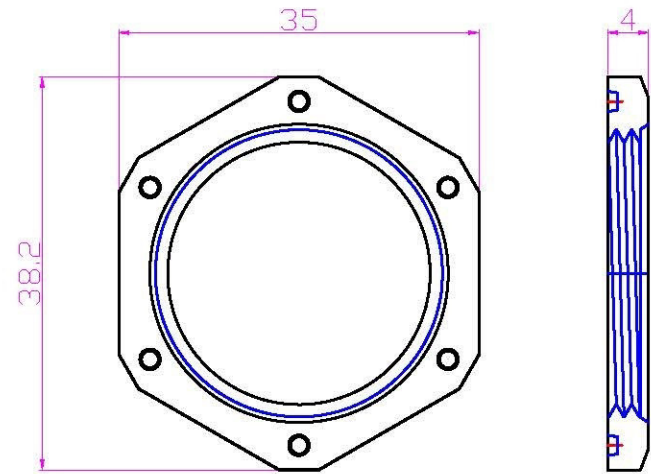
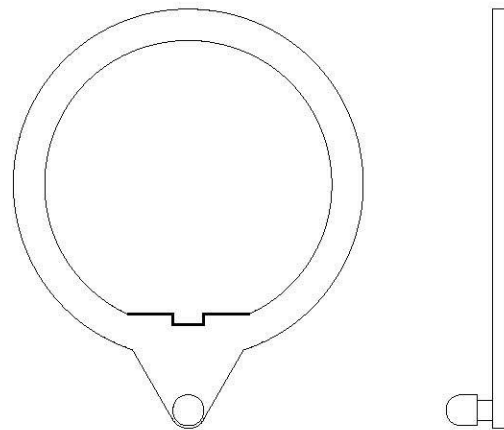
1. USB CONN
 - 1-1. HOUSING : PBT UL94V-0 ; COLOR : BLACK
 - 1-2. CONTACT : PHOSPHOR BRONZE
 - 1-3. SHELL : BRASS
 - 1-4. Pin header : BRASS
2. PARTS
 - 2-1. EXTERNAL HOUSING : PBT UL94V-0 ; COLOR : BLACK
 - 2-2. NUT : PBT UL94V-0 ; COLOR : BLACK
 - 2-3. WASHER : PBT UL94V-0 ; COLOR : BLACK
 - 2-4. O-RING : SILICON
3. PLATING
 - 3-1. CONTACT : GOLD PLATING ON CONTACT AREA
BRIGHT TIN ON SOLDER AREA
 - 3-2. SHELL : NICKEL PLATING ON OVER ALL
 - 3-3. Pin header : GOLD PLATING.
4. ELECTRICAL SPECIFICATION:
 - 4-1. RATED CURRENT : 1A
 - 4-2. RATED VOLTAGE : 30V
 - 4-3. WATER PROOF: IP67
5. ENVIRONMENTAL:
 - 5-1. OPERATION TEMPERATURE : -20°C~85°C



O-RING



WASHER



NUT

DRAWN	Yeh	APPEND	Fido Veng	UNIT	mm	TOLERANCE		All Connectors www.allconnectors.de Tel: 0049 711 7005503 70734 Bilsdorf, Germany	info@allconnectors.de Fax: 0049 711 7005501 Kottbusstr. 25	TITLE	防水USB(F)鎖板式(後鎖)			SHEET	
CHOKED				SCALE	1:1	x ±0.20 xx ±0.10 xxx ±0.05 xxxx ±0.03 ANGULA ±1°				PART NO.	US-04F3-25	DWG NO.	0C5534	VERSION	