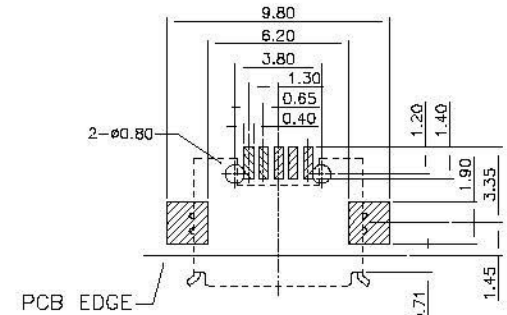
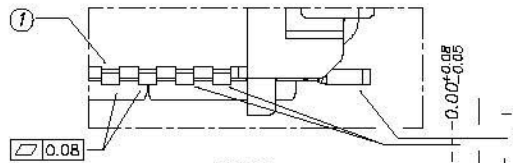
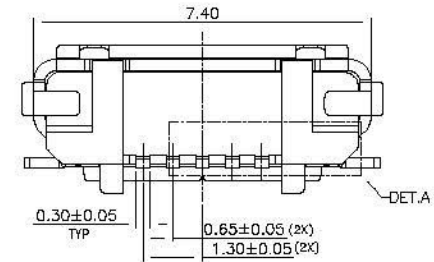
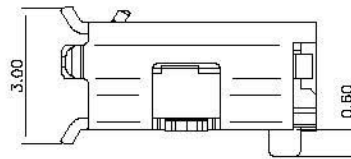
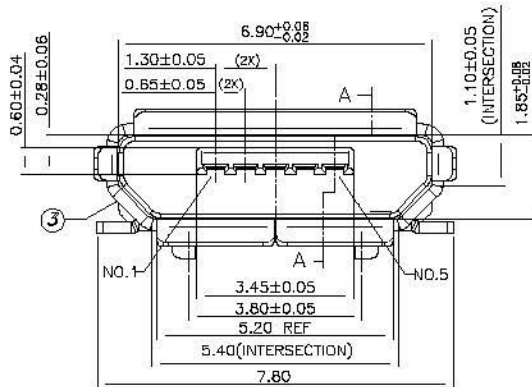


SEC. A-A



PCB LAYOUT (SCALE 4:1)
TOLERANCE: ±0.05



DET. A
SCALE 10:1

△ PRODUCT NUMBER:

207A-B B A 0-R
1 2 3 4

1. Type
B:B Type

2. Contact Plating
B:30u" Gold Plating

3. Peg
A: With Peg

4. RoHS

ITEM	DESC.	MATERIAL	REMARKS	PART REMARKS
3	SHELL	STAINLESS STEEL, T=0.25	40u" Min. NICKEL OVER PLATED	
2	HOUSING	HIGH TEMPERATURE THERMAL PLASTIC	COLOR:BLACK	
1	CONTACT	COPPER ALLOY, T=0.20	CONTACT AREA: Au 30u" Min, SOLDER AREA: Au 3u" Min.	

REV.	DESCRIPTION	DATE	REV.	DESCRIPTION	DATE
1			4		
2			5		
3			6		
4			7		
5			8		
6			9		
7			10		

UNLESS OTHERWISE SPECIFIED TOLERANCE			All Connectors	
ANGLES	ANG.	±5°	www.allconnectors.com Tel: (049 711 7085)8 Fax: (049 711 7082)4 All Connectors GmbH Reichenbach 15	
	0.	±0.3		
LINEAR	0.0	±0.25	DRAWN NAME: Micro USB B Receptacle SMD Type	
	0.00	±0.20		
SCALE	AS SHOWN	UNIT: mm	PRODUCT NO.	207A-BBA0-R
DRAWN	Willis	2012/08/03	FILE NAME	207A-BBA0-R_B_2
CHECKED	Angel	2012/08/03		
APPROVED	Ken	2012/08/03		
	SIZE	REV. 1.0		

△	Revise:				
△	Revise:				
△	Revise: Product Number, Contact Area (Gold 30u") and Peg Area	2009/08/11			