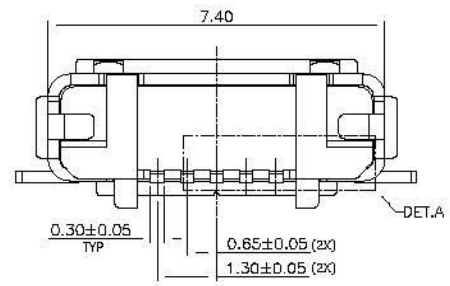
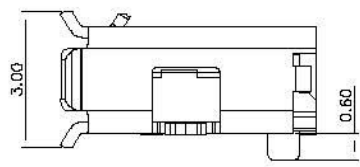
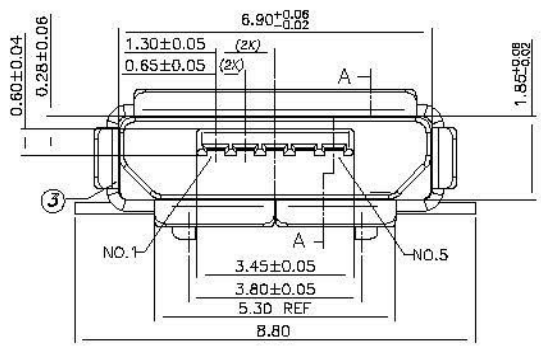


PCB LAYOUT(SCALE 4:1)
TOLERANCE:±0.05



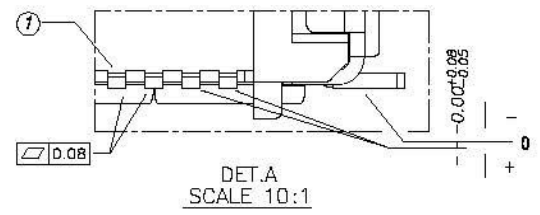
△ PRODUCT NUMBER:
207A-~~A~~ B A 0-R
1 2 3 4

1.Type
A:AB Type

2.Contact Plating
B:30u" Gold Plating

3.Peg
A:With Peg

4.RoHS



3	SHELL	STAINLESS STEEL, T=0.25	40u" Min. NICKEL OVER PLATED	
2	HOUSING	HIGH TEMPERATURE THERMAL PLASTIC	COLOR:GRAY	
1	CONTACT	COPPER ALLOY,T=0.20	CONTACT AREA:Au 30u"Min, SOLDER AREA:Au 3u" Min.	
ITEM	DESC.	MATERIAL	REMARKS	PART REMARKS

UNLESS OTHERWISE SPECIFIED TOLERANCE		
ANGLES	ANG.	±5°
LINEAR	0.	±0.3
	0.0	±0.25
SCALE	AS SHOWN	±0.20
DRAWN	Willis	2012/08/03
CHECKED	Angel	2012/08/03
APPROVED	Ken	2012/08/03

All Connectors

www.allconnectors.de info@allconnectors.de
Tel: 0049 711 7005903 Fax: 0049 711 7005904
70794 Filsdorfer Germany Kettnerstr. 25

DRAWN NAME:
Micro USB AB Receptacle SMD Type

PRODUCT NO. 207A-ABAO-R

△ Revise:			
△ Revise:			
△ Revise: Product Number: Contact Area(Gold 30u") and Peg Area	2009/08/11		

REV.	DESCRIPTION	DATE	REV.	DESCRIPTION	DATE	SIZE	REV.	FILE NAME
1			4			A4	1.0	207A-ABAO-R_B_2