

Technical Data:

Material:

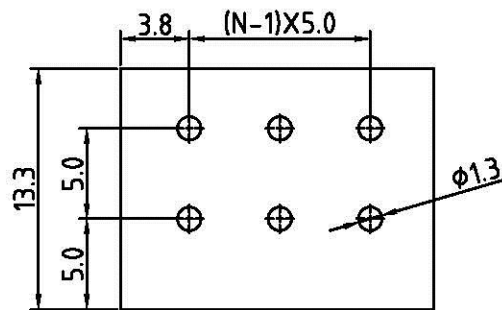
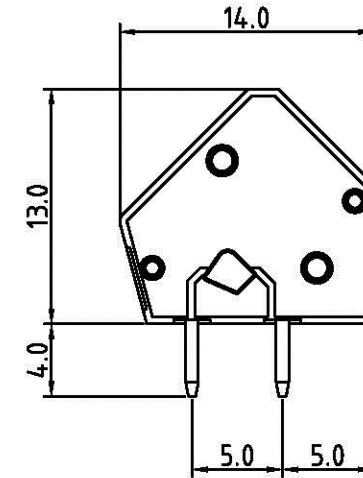
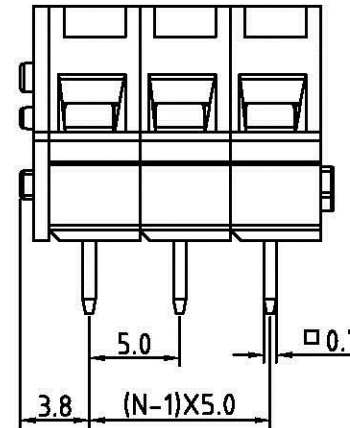
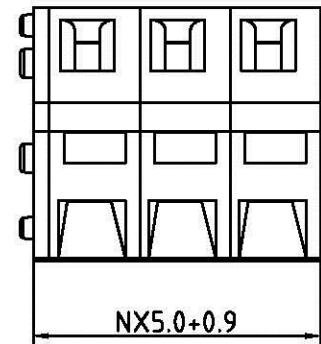
- Contact(metal housing): Brass
- Wire guard: Stainless steel
- Surface of solder tail: tin plated
- Insulator body(housing): Polyamide(Glass filled)(UL94V-0)

Electrical

- Voltage rating: 300VAC
- Current rating: 15 Amps/way max
- Contact resistance: 20mΩ(max)
- Insulation resistance: 5000MΩ/1000V
- Withstanding Voltage: 1500VAC(1min) Test time=60sec/1pcs
- Wire range: 12-28AWG

Mechanical:

- Operating temperature: -30°C to +105°C
- Soldering ability: 95%coverage(min)
Test temperature= 230°C±10°C
Test time= 4sec±0.5sec
- Soldering reliability:
Test temperature= 245°C±10°C
5 seconds max



PCB. LAYOUT

N=Number of contacts

| | | | | | | | | | | | | | | |
|---|---|--|--|--|--|--|--------------|--|-----------|--|---------------|--|------|--|
| B | All Connectors | | PART NO. TBY050-A13-xx | | TOLERANCES ARE .X ± 0.3 .XX ± 0.1 .XXX ± AWG | | DESCRIPTION: | | | | | | | |
| | www.allconnectors.de Tel.: 0049 713 709503 0724 Hildersbach - Germany | | info@allconnectors.de Fax: 0049 713 709504 Kettelerstr. 2h | | | | | | | | CHECKED BY CY | | | |
| A | | | DWG NO. TBY050-A13-xx | | DRAWING BY | | AREA | | REVISIONS | | HK | | DATE | |
| | | | FILE NO. | | PROJECTION | | | | | | | | | |
| | | | UNIT / mm | | SCALE 1:1 | | | | | | | | | |