

Technical Data:

Material:

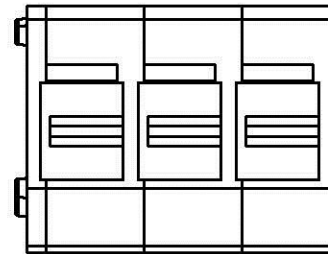
- Contact : Brass
- Wire guard : stainless steel
- Surface of solder tail : Tin plated
- Insulator body(housing) : Polyamide(Glass filled)(UL94V-0)

Electrical

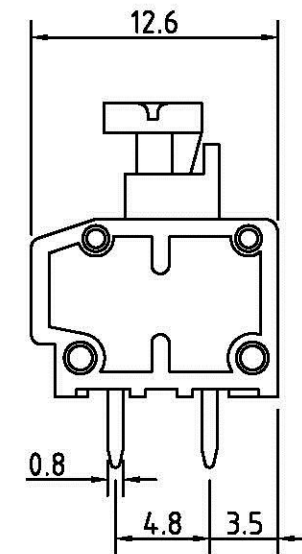
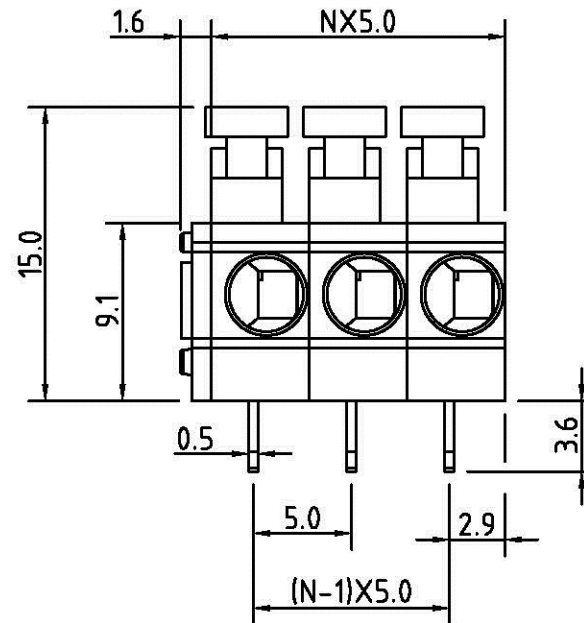
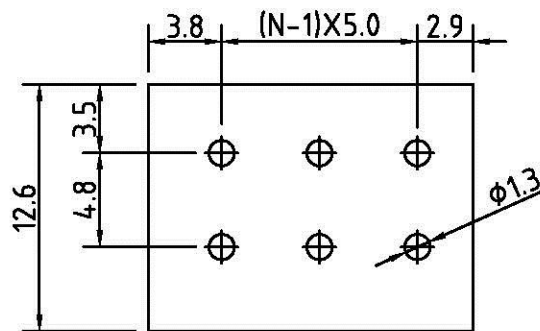
- Voltage rating: 300VAC
- Current rating: 10 Amps/way max
- Contact resistance: 20mΩ(max)
- Insulation resistance: 1000MΩ min.
- Wire range: 14-20AWG

Mechanical:

- Wire retention force: 1.5kg
- Operating temperature: -10°C to +70°C
- Test temperature= 250°C 5 seconds max.



P.C.B. LAYOUT



N=Number of contacts

Allconnectors <small>www.allconnectors.de Tel.: 0049 711 7009303 /O/291 Filderstadt - Germany</small>	PART NO. TBX050-R15-xx		CHECKED BY CY	TOLERANCES ARE .X ± 0.2 .XX ± .XXX ± AWG	DESCRIPTION:			
	DWG NO. TBX050-R15-xx							
	FILE NO.		PROJECTION	AREA		REVISIONS	HK	DATE
	UNIT / mm	SCALE 1:1						