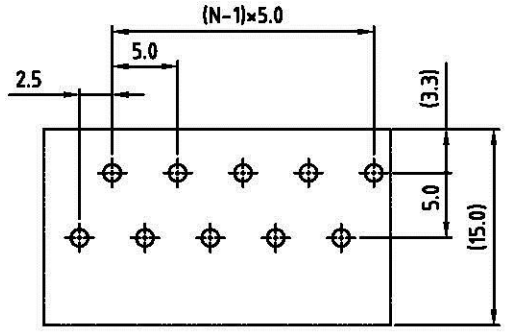
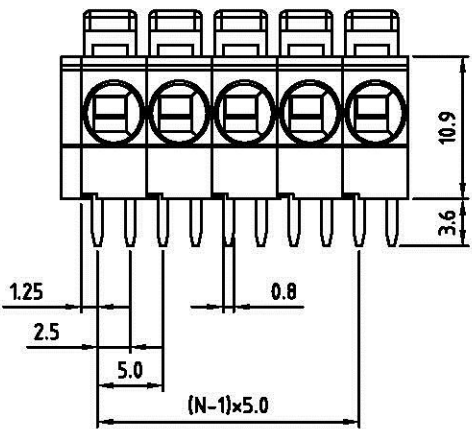
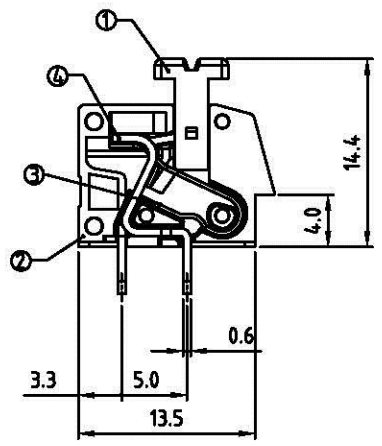
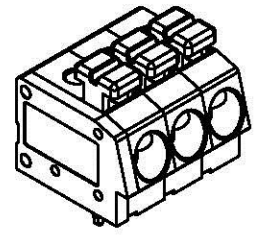


N= Number of poles



PCB Layout



Material:

- Item ① Insulator(lever): Thermoplastic (UL94V-0)
- Item ② Insulator(housing): Thermoplastic (UL94V-0)
- Item ③ Wire guard: Stainless steel
- Item ④ Terminal Body(contact pin): Brass.

Electrical:

- | | |
|--------------------------|-------------------|
| | UL |
| ● Voltage rating: | 300 V |
| ● Current rating: | 10 A |
| ● Wire range: | |
| ● Solid wire(AWG): | 12-20 |
| ● Stranded wire(AWG): | 12-20 |
| ● Wire strip length: | 10-11 mm |
| ● Withstanding Voltage: | 1.6KV |
| ● Operating temperature: | -33°C to +105°C |
| ● Soldering temperature: | 250°C ±10°C/5 Sec |

TBX050-R14-xx-LF
LEADFREE
RoHS Compliant



www.allconnectors.de
Tel.: 0049 711 709503
70754 Hildersdorf, Germany

Info@allconnectors.de
Fax: 0049 711 709504
Kottbusstraße 25

PART NO. TBX050-R14-xx		CHECKED BY CY		TOLERANCES ARE .X ± 0.2 .XX ± XXX ± AWG	DESCRIPTION:			
DWG NO. TBX050-R14-xx		DRAWING BY						
FILE NO.		PROJECTION		AREA	REVISIONS	HK	DATE	
UNIT / mm	SCALE 1:1							