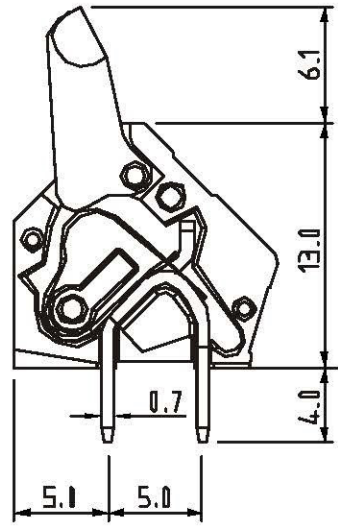
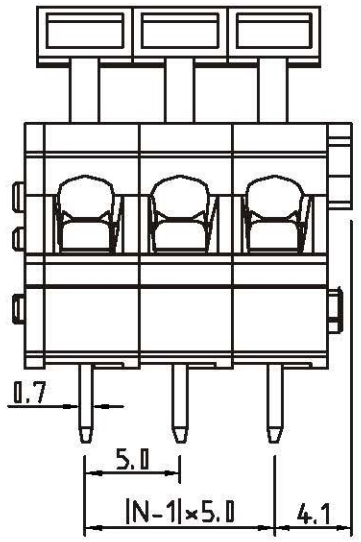
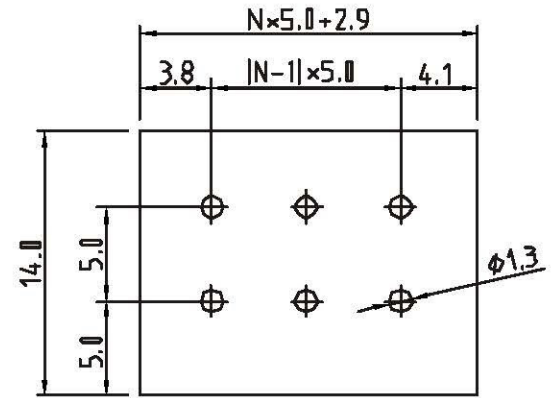
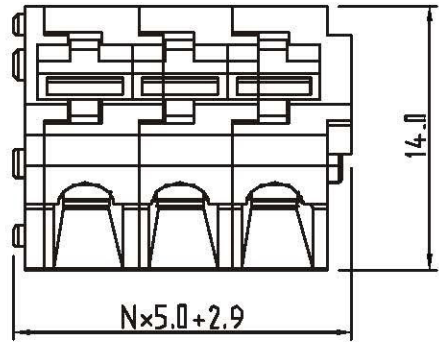


P.C.B LAYDUT



N=Number of contacts

Technical Data:

Material:

- Contact|metal housing|: Brass
- Wire guard: Stainless steel
- Surface of solder tail: tin plated
- Insulator body|housing|: Polyamide|Glass filled|UL94V-1|

Electrical

- Voltage rating: 30IVAC
- Current rating: 15 Amps/way max
- Contact resistance: 21mΩ|max|
- Insulation resistance: 5010MΩ/1010V
- Withstanding Voltage: 150IVAC|1min| Test time=60sec/1prc
- Wire range: 12-28AWG

Mechanical:

- Operating temperature: -30°C to +105°C
- Soldering ability: 95%coverage|min|  
Test temperature= 230°C±11°C  
Test time= 4sec±0.5sec
- Soldering reliability:  
Test temperature= 245°C±11°C  
5 seconds max

TBX050-A19-xx-LF  
LEADFREE

RoHS Compliant

**Allconnectors**  
www.allconnectors.de info@allconnectors.de  
Tel.: 0019 711 7009303 Fax: 0019 711 7009301  
70794 Biberstadt, Germany Kellenmühl, 25

PART NO. TBX050-A19-xx		CHECKED BY CY		TOLERANCES ARE .X±0.2 .XX±0.1 .XXX± AWG	DESCRIP TION:	AREA	REVISIONS	HK	DATE
DWG NO. TBX050-A19-xx		DRAWING BY							
FILE NO.		PROJECTION							
UNIT / mm	SCALE 1:1								