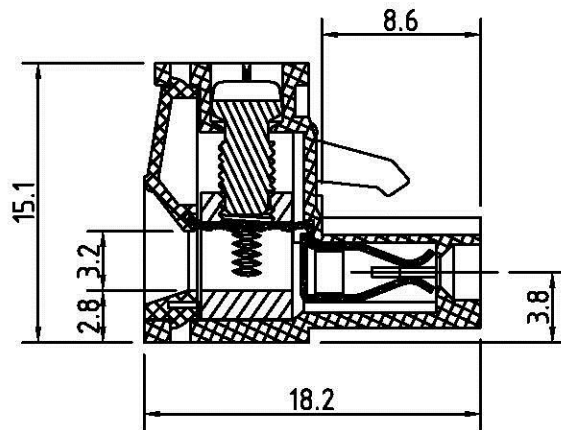


N=Number of contacts



Technical Data:

Material:

- Contact(metal housing): Brass Machined(Option)
 - Terminal screw: Steel Galvanized and chromitized or Nickel plated or Tin plated(standard)(optian)
 - ⚠ ◦ Wire guard: PhBz, Tin plated.
 - Insulator body(housing): Polyamide(Glass filled)(UL94V-0)
- Electrical**
- ⚠ ◦ Voltage rating: 300VAC
 - ⚠ ◦ Current rating: 10 Amps/way max
 - Contact resistance: 20mΩ(max)
 - Insulation resistance: 5000MΩ/1000V
 - Withstanding Voltage: 1500VAC(1min) Test time=60sec/1pcs
 - ⚠ ◦ Wire range: 12-24AWG

Mechanical:

- Torque: 4kgf.cm/M3
- Operating temperature: -33°C to +120°C
- Soldering temperature= 250°C/5 seconds max

P/N	TBH050-SWE0-XX	TBH050-SWEE-XX	TBH050-SW-XX
DWG			

Allconnectors

www.allconnectors.de
Tel.: 0049 711 7009562
70734 Filderstadt - Germany

info@allconnectors.de
Fax: 0049 711 7009504
Kaltbeimstr. 25

PART NO. TBH050-SW-xx

DWG NO. TBH050-SW-xx

FILE NO.

UNIT / mm

SCALE 1:1

APPROVED BY CY

DRAWING BY

PROJECTION



TOLERANCES ARE

X ± 0.50
.XX ± 0.30
.XXX ± 0.10
AWG 12-24

DESCRIPTION:

5.0 BOARD TO WIRE

AREA

REVISIONS

HK

DATE