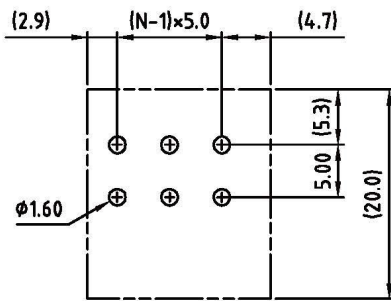
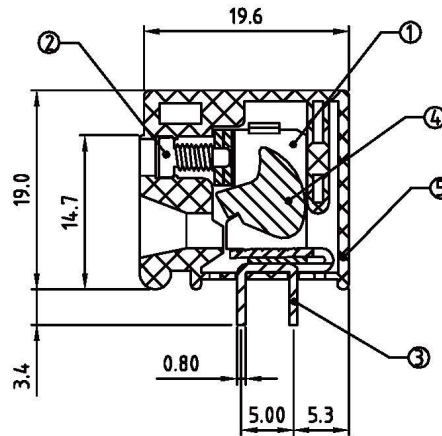


N=Number of Poles



P.C.B. LAYOUT



Material

- Item ① Terminal body(metal housing): steel stamped Zinc plating
- Item ② Terminal screw: Steel Zinc plating "-" slot type
- Item ③ Contacts: Brass, Tin plated
- Item ④ Firm wire chunk: steel Zinc plating
- Item ⑤ Insulator (housing): Thermoplastic (UL94V-0)

⚠ Electrical cULus

- Voltage rating: 300VAC
- Current rating: 20A
- Wire range:
 - Solid wire(AWG): 12-22
 - Stranded wire(AWG): 12-22
- Torque(Lb-In): 2.4
- Screw: M2.5
- Wire strip length: 10-11mm
- Withstanding Voltage: 1.6KV
- Operating temperature: -30°C to +105°C
- ⚠ Soldering temperature: 250°C±10°C/5 Sec
- Safety Approval:

RoHS Compliant

Allconnectors

www.allconnectors.de info@allconnectors.de
 Tel.: 0049 711 7009503 Fax: 0049 711 7009504
 70794 Filderstadt - Germany Kettnerstr. 25

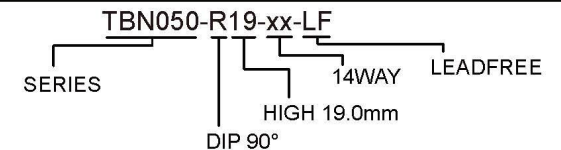
DRAWING BY CY	
CHECKED BY GENIUS	
UNIT/ mm	SCALE 1 : 1
DATE	
SIZE A4	P PROJECTION

TOLERANCES ARE

- X ±
- .X ±
- .XX ±
- .XXX ±
- ANG ±



ORDER INFORMATION



DESCRIPTION: