

Technical Data:

Material:

- Δ Contact (metal housing): Brass Stamping
- Δ Wire guard: PhBz, Tin plated
- Terminal screw: Steel galvanized and chromated or Nickel plated or Tin plated (standard) (option)
- Solder Pin: Brass with Tin plated
- Insulator body (housing): Polyamide (Glass filled) (UL94V-0)

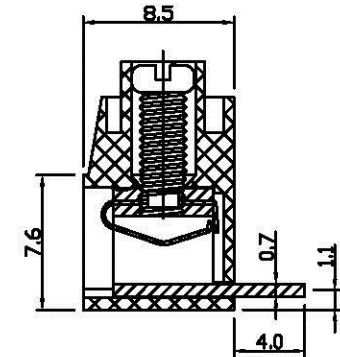
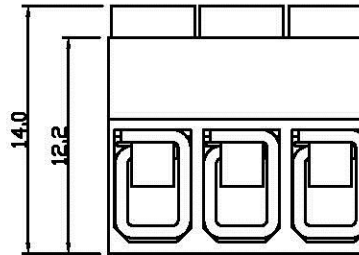
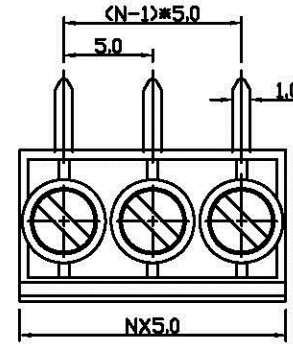
Electrical:

- Voltage rating: 250VAC
- Current rating: 15 Amps/way max
- Contact resistance: 20m (max)
- Insulation resistance: 5000M /1000V
- Withstanding Voltage: 1500VAC(1min) Test time=60sec/1pcs
- Wire range: 12-22AWG

Mechanical:

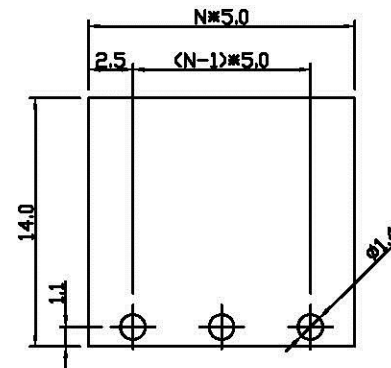
- Torque: 4kg-cm/M2.5
- Δ Operating temperature: -33°C to +120°C
- Soldering reliability:
Test temperature= 250°C±10°C
5 seconds max

■ Safety approval data:



N=Number of contacts

P.C.B. LAYOUT



P/N	TBN050-R14E0-xx	TBN050-R14EE-xx	TBN050-R14-xx
DWG			

All Connectors

www.allconnectors.de info@allconnectors.de
Tel.: 0049 711 7005503 Fax: 0049 711 7005504
70794 Filderstadt Germany Kettenerstr. 25

PART NO. TBN050-R14-xx

DWG NO. TBN050-R14-xx

FILE NO.

UNIT / mm

SCALE 1:1

CHECKED BY CY

DRAWING BY

PROJECTION



TOLERANCES ARE

.X 0.3
.XX 0.25
.XXX
AWG

DESCRIPTION:

AREA

REVISIONS

HK

DATE