

Technical Data:

Material:

- Contact(metal housing): Brass (CuZn)
- Terminal screw: Steel galvanized and chromate or Nickel plated or Tin plated(standard)(optian)
- Wire guard: Stainless steel
- Surface of solder tail: tin plated
- Insulator body(housing): Polyamide(Glass filled)(UL94V-0)

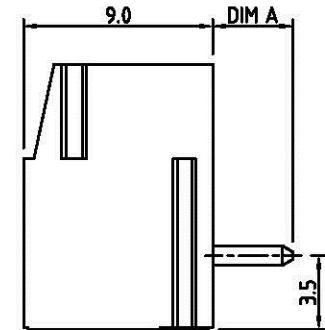
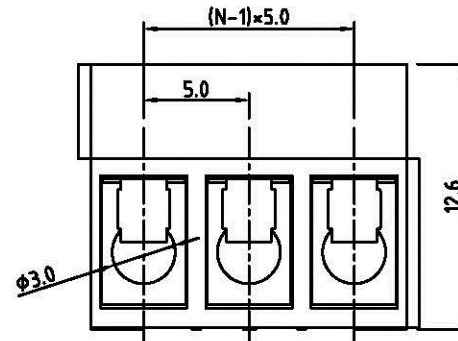
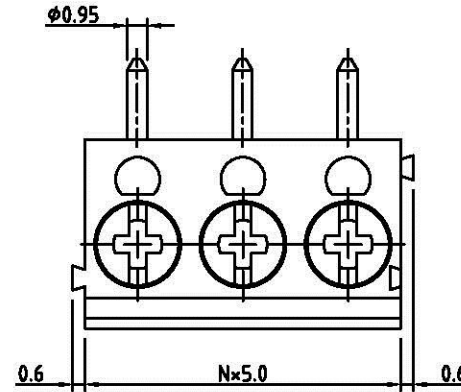
Electrical

- Voltage rating: 250VAC
- Current rating: 16 Amps/way max
- Contact resistance: 20mΩ(max)
- Insulation resistance: 5000MΩ/1000V
- Withsanding Voltage: 1500VAC(lmim) Test time=60sec/1pcs
- Wire range: 14-22AWG

Mechanical:

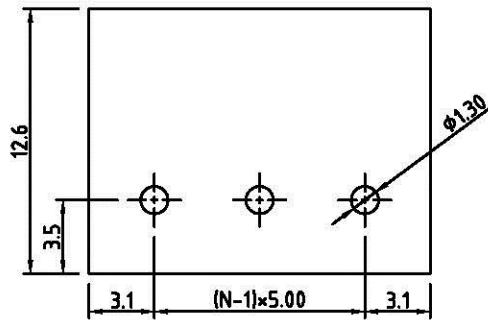
- Torque: 4kg-cm/M3
- Operating temperature: -33°C to +120°C
- Soldering ability: 95%coveragel(min)
Test temperature= 230°C±10°C
Test time= 4sec±0.5sec
- Soldring reliability:
Test temperature= 250°C±10°C
5 seconds max

Safety approval deta: 



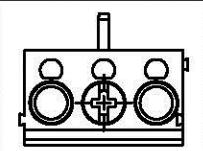
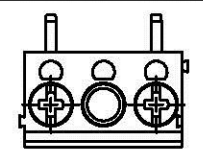
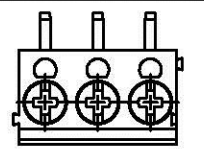
N=Number of contacts

P.C.B. LAYOUT



DIM A Length

Code	DIM A
0	4.4mm
1	3.8mm
2	3.5mm

P/N	TBN050-R12E0-xx	TBN050-R12EE-xx	TBN050-R12-xx
DWG			

All Connectors

www.allconnectors.de | info@allconnectors.de
Tel: 0049 711 4000903 | Fax: 0049 711 4000904
20734 Eilendorf, Germany | Kettehofstr. 25

PART NO. TBN050-R12-xx

DWG NO. TBN050-R12-xx

FILE NO.

UNIT / mm

SCALE 1:1

CHECKED BY CY

DRAWING BY

PROJECTION 

TOLERANCES ARE

.X ± 0.2
.XX ±
.XXX ±
AWG

DESCRIP TION:

AREA

REVISIONS

HK

DATE