

SPECIFICATIONS

BARRIER MATERIAL: THERMOPLASTIC (UL 94V-0) GREEN

TERMINALS: TIN PLATED BRASS

SCREWS: ZINC PLATED STEEL

WIRE RANGE AWG: 22-16 STR

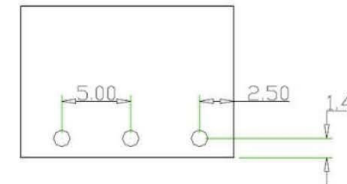
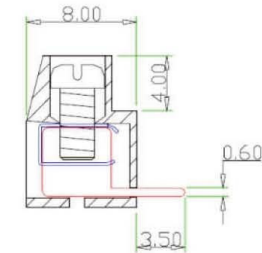
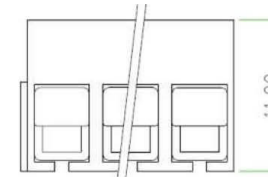
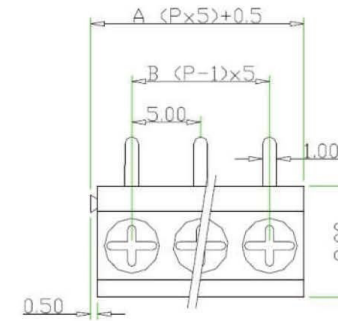
RATING: 10 AMPERES, 250 VAC

INSULATION WITHSTANDS VOLTAGE AC 2000V

INSULATION RESISTANCE 500 Ω OR MORE AT DC 500V

FEATURES

SUPPLY 2P 3P CAN BE DOVETAILED TOGETHER TO MAKE ANY LENGTH & DIFFERENT COMBINATIONS



POLE	2	3	4	5	6	7	8	9	10	11	12	13	14	15
A	10.5	15.5	20.5	25.5	30.5	35.5	40.5	45.5	50.5	55.5	60.5	65.5	70.5	75.5
B	5	10	15	20	25	30	35	40	45	50	55	60	65	70
POLE	16	17	18	19	20	21	22	23	24	25	26			
A	80.5	85.5	90.5	95.5	100.5	105.5	110.5	115.5	120.5	125.5	130.5			
B	75	80	85	90	95	100	105	110	115	120	125			

All Connectors

www.allconnectors.de

Tel.: 0049 711 7009503

70794 Filderstadt - Germany

info@allconnectors.de

Fax: 0049 711 7009504

Kettnerstr. 25

RoHS Compliant

DRAWING BY CY

CHECKED BY GENIUS

UNIT / mm SCALE 1 : 1

DATE

SIZE A4

TOLERANCES ARE

X ±

.X ±

.XX ±

.XXX ±

ANG ±

PROJECTION



ORDER INFORMATION

TBN050-R11-xx-LF



DESCRIPTION: