


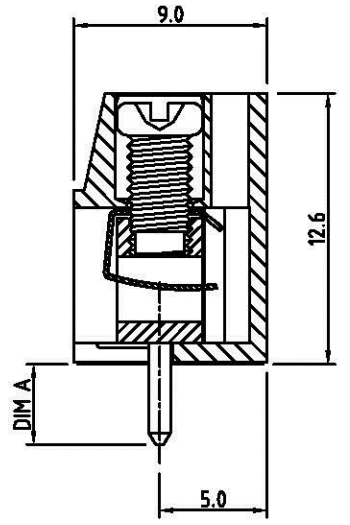
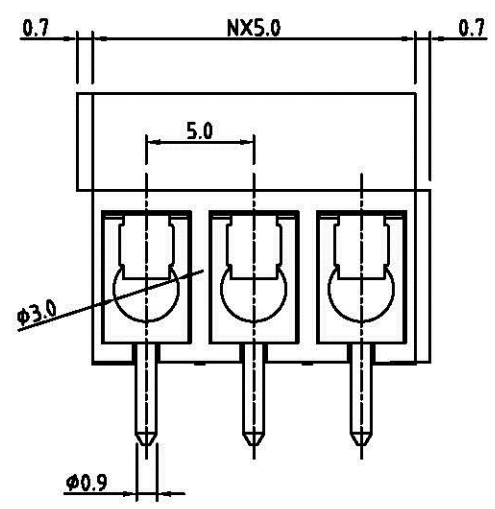
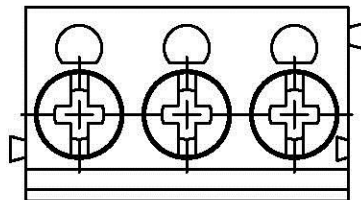
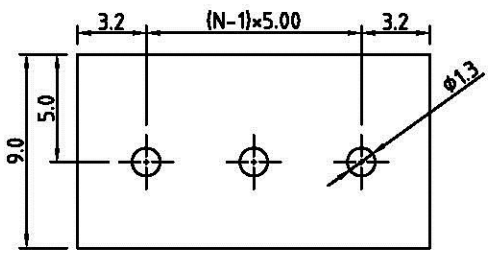


- Technical Data:**
- Material:**
- Contact(metal housing): Brass (CuZn)
  - Terminal screw: Steel galvanized and chromate or Nickel plated or Tin plated(standard)(option)
  - Wire guard: Stainless steel
  - Surface of solder tail: tin plated
  - Insulator body(housing): Polyamide(Glass filled)(UL94V-0)
- Electrical**
- Voltage rating: 250VAC
  - Current rating: 16 Amps/way max
  - Contact resistance: 20mΩ(max)
  - Insulation resistance: 5000MΩ/1000V
  - Withstanding Voltage: 1500VAC(Lim) Test time=60sec/1pcs
  - Wire range: 14-22AWG/(0.3256~2.081)mm<sup>2</sup>
- Mechanical:**
- Torque: 4kgf.cm/M3
  - Operating temperature: -33°C to +120°C
  - Soldering ability: 95%coverage(min)  
Test temperature= 230°C±10°C  
Test time= 4sec±0.5sec
  - Soldering reliability:  
Test temperature= 250°C±10°C  
5 seconds max
- Safety approval data:**   



N=Number of contacts

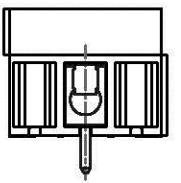
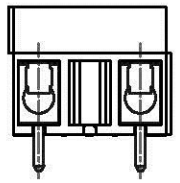
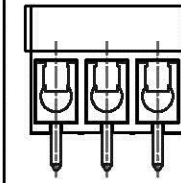
**P.C.B. LAYOUT**


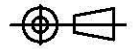


**DIM A Length**

Code	DIM A
0	4.4mm
1	3.8mm
2	3.5mm

TBN050-D12-xx-LF  
LEADFREE  
RoHS Compliant

P/N	TBN050-D12E0-xx	TBN050-D12EE-xx	TBN050-D12-xx
DWG			

 www.allconnectors.de info@allconnectors.de Tel: 0049 / 711 / 4009503 Fax: 0049 / 711 / 4005004 Kellenersstr. 25 70704 Filderstadt - Germany	PART NO. TBN050-D12-xx		CHECKED BY CY	TOLERANCES ARE .X ± 0.1 .XX ± 0.01 XXX ± AWG	DESCRIPTION:	AREA	REVISIONS	HK	DATE
	DWG NO. TBN050-D12-xx								
	FILE NO.		PROJECTION						
	UNIT / mm	SCALE 1:1							