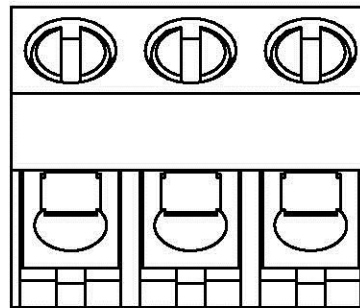


Material

- Terminal body
- (metal housing): Brass (CuZn)
- Terminal screw: Steel Zinc plating "-" slot type
- Wire guard: Stainless steel
- Surface of solder tail: Tin plated
- Insulator (housing): Thermoplastic (UL94V-0)

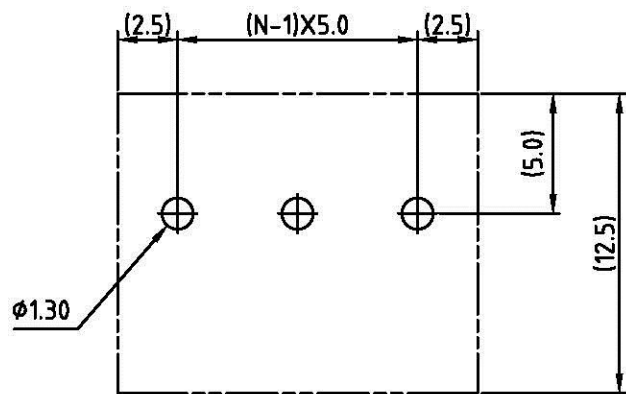
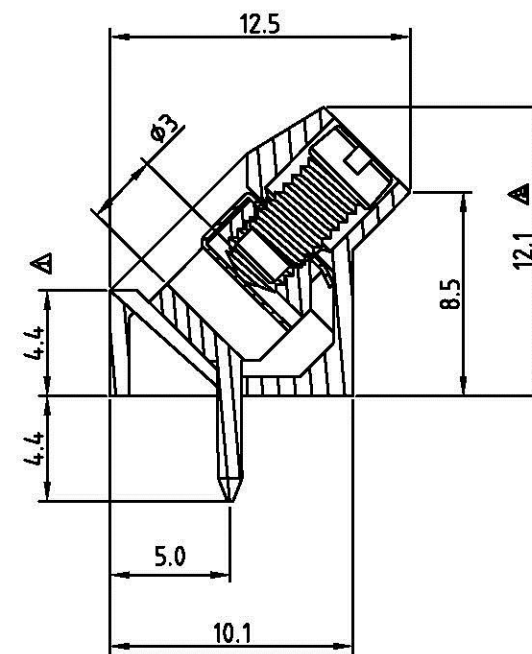
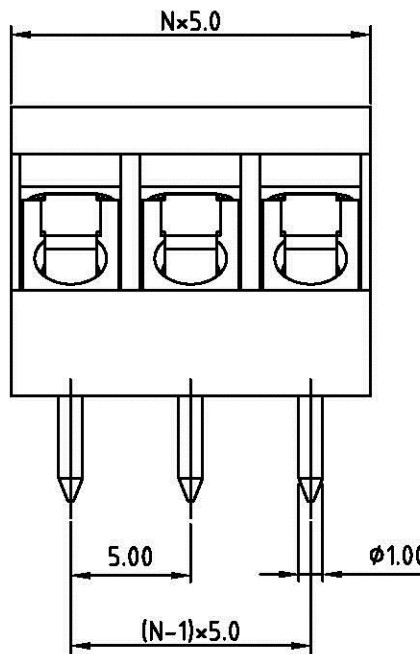
⚠ Electrical

- Voltage rating: 300VAC
- Current rating: 15A
- Wire range:
- Solid wire(AWG): 14-22
- Stranded wire(AWG): 14-22
- Torque(Lb-In): 3.5
- Screw: M3
- Wire strip length: 6-7mm
- Withstanding Voltage: 1.6KV
- Operating temperature: -30° C to +105° C
- Soldering temperature: 245° C ± 10° C / 5 Sec



TBN050-A12-xx-LF
LEADFREE

RoHS Compliant



RECOMMENDED PCB LAYOUT

N=Number of contacts

Allconnectors

www.allconnectors.de
Tel.: 0049 711 7095903
71736 Hilderstadt - Germany

info@allconnectors.de
Fax: 0049 711 7095904
Kettnerstr. 25

PART NO. TBN050-A12-xx		CHECKED BY CY	TOLERANCES ARE .X ± 0.3 .XX ± 0.1 .XXX ± AWG	DESCRIPTION: 5.0 SERIES SOLID BLOCK SERIES			
DWG NO. TBN050-A12-xx				DRAWING BY		AREA	REVISIONS
FILE NO.		PROJECTION					
UNIT / mm	SCALE 1:1						