

**Material**

- Item ① Terminal body(metal housing): Brass(CuZn)
- Item ② Terminal screw: Steel Zinc plating "-" slot type
- Item ③ Contacts: Brass, Tin plated
- Item ④ Insulator (Cover): Thermoplastic (UL94V-0)
- Item ⑤ Insulator (Body): Thermoplastic (UL94V-0)

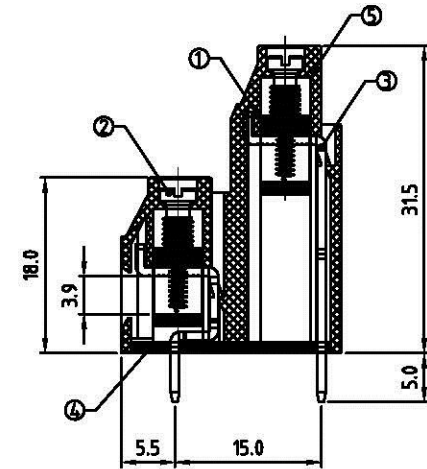
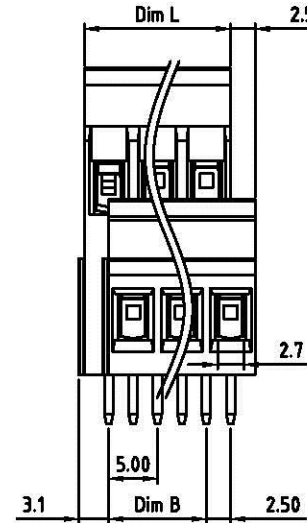
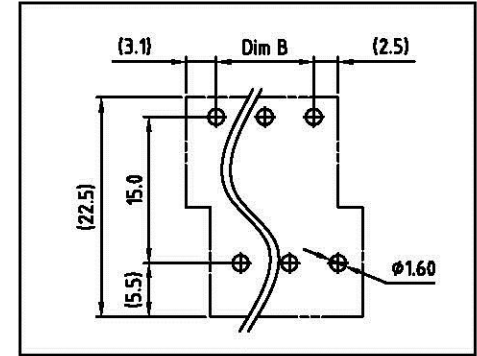
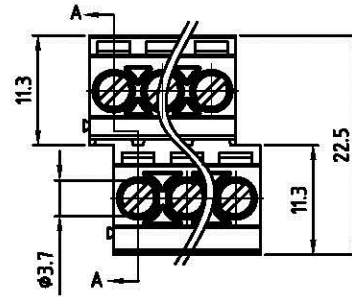
**Electrical**

- Voltage rating: 300VAC
- Current rating: 20A
- Wire range:
- Solid wire(AWG): 12-22
- Stranded wire(AWG): 12-22
- Torque(Lb-In): 4.3
- Screw: M3
- Wire strip length: 6-7mm
- Withstanding Voltage: 1.6KV
- Operating temperature: -30°C to +105°C
- Soldering temperature: 250°C±10°C/5 Sec

TBH050B1-D18R-xx-LF  
LEADFREE

RoHS Compliant

Poles	2×2	2×3	2×4	2×5	2×6	2×7	2×8	2×9	2×10	2×11	2×12	2×13
Dim L	10.00	15.00	20.00	25.00	30.00	35.00	40.00	45.00	50.00	55.00	60.00	65.00
Dim B	5.00	10.00	15.00	20.00	25.00	30.00	35.00	40.00	45.00	50.00	55.00	60.00
TOL	±0.15					±0.20					±0.25	
Poles	2×14	2×15	2×16	2×17	2×18	2×19	2×20	2×21	2×22	2×23	2×24	
Dim L	70.00	75.00	80.00	85.00	90.00	95.00	100.0	105.0	110.0	115.0	120.0	
Dim B	65.00	70.00	75.00	80.00	85.00	90.00	95.00	100.0	105.0	110.0	115.0	
TOL	±0.25					±0.30						



**All connectors**

www.allconnectors.de  
Tel.: 0049 711 7009503  
all@allconnectors.de Germany

info@allconnectors.de  
Fax: 0049 711 7009504  
allconnectors.de

PART NO. TBH050B1-D18R-xx

DWG NO. TBH050B1-D18R-xx

FILE NO.

UNIT / mm

SCALE 1:1

CHECKED BY CY

DRAWING BY

PROJECTION



TOLERANCES ARE

- .X ± 0.2
- .XX ±
- .XXX ±
- AWG

DESCRIPTION:

AREA

REVISIONS

HK

DATE