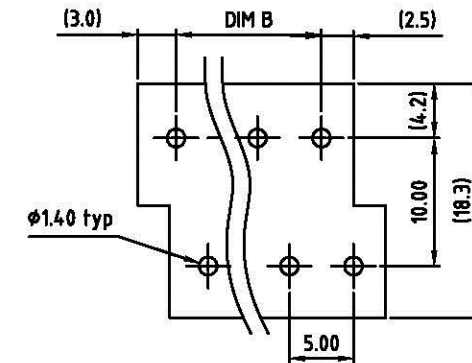
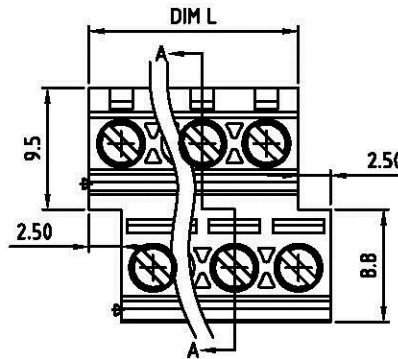


Material:

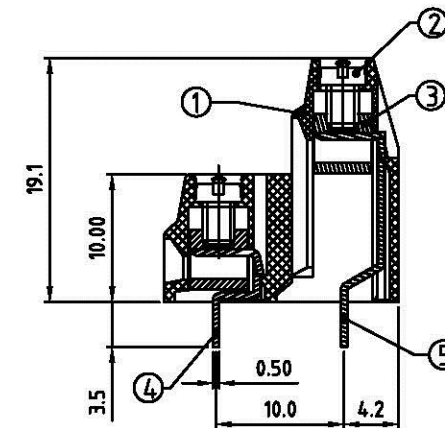
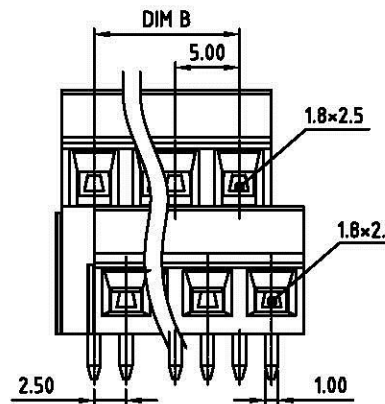
- Item 1 Insulating body Thermoplastic (UL94V-0)
- Item 2 Terminal screw Steel Zinc plating "-" slot type
- Item 3 Terminal body Brass, Ni plated
- Item 4 Contact on entry pin Brass, Tin plated
- Item 5 Contact on back pin Brass, Tin plated

Electrical

- Voltage rating: 300V
- Current rating: 10A
- Torque(Lb-In): 3.5
- Screw: M2.5
- Wrire range:
- SOLID WIRE(AWG): 16-26
- Stranded wire(AWG): 16-26
- Wire strip length: 6-7mm
- Withstanding Voltage:1.6kv
- Operating temperature: -30° C to +105° C
- Soldring reliability: 250° C±10° C/5 Sec



P.C.B. LAYOUT



SECTION A-A

TBH050B1-D10R-xx-LF
LEADFREE
POS.PER ROW
02:2WAY
24:24WAY
RoHS Compliant

Poles	02	03	04	05	06	07	08	09	10	11	12	13
Dim L	10.00	15.00	20.00	25.00	30.00	35.00	40.00	45.00	50.00	55.00	60.00	65.00
Dim B	5.00	10.00	15.00	20.00	25.00	30.00	35.00	40.00	45.00	50.00	55.00	60.00
TOL	±0.15						±0.25				±0.35	
Poles	14	15	16	17	18	19	20	21	22	23	24	
Dim L	70.00	75.00	80.00	85.00	90.00	95.00	100.0	105.0	110.0	115.0	120.0	
Dim B	65.00	70.00	75.00	80.00	85.00	90.00	95.00	100.0	105.0	110.0	115.0	
TOL	±0.35						±0.45					



www.allconnectors.com
Tel.: 0049 711 7009503
70754 Filderstadt - Germany

info@allconnectors.com
Fax: 0049 711 7009504
Kettelerstr. 25

PART NO. TBH050B1-D10R-xx

DWG NO. TBH050B1-D10R-xx

FILE NO.

UNIT / mm

SCALE 1:1

CHECKED BY CY

DRAWING BY

PROJECTION

TOLERANCES ARE

.X ± 0.2
.XX ±
.XXX ±
AWG

DESCRIPTION:

AREA

REVISIONS

HK

DATE