

**Technical Data:**

**Material:**

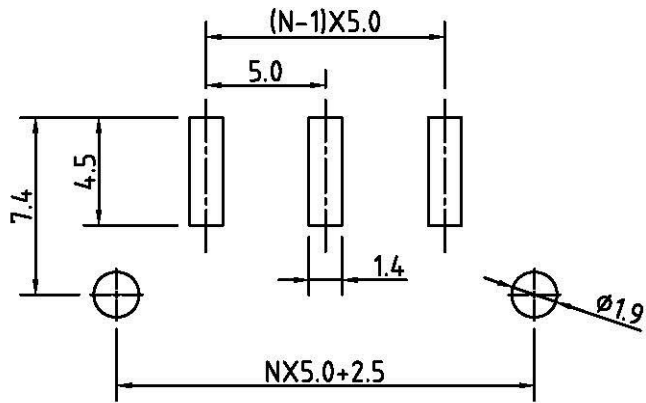
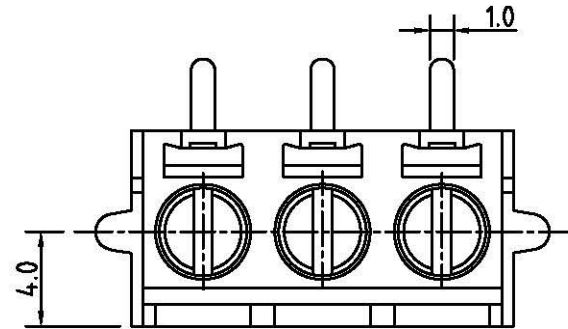
- Contact(metal housing): Brass Machined(Option)
- Terminal screw: Steel Galvanized and chromitized or Nickel plated or Tin plated(standard)(optian)
- Solder Pin: Brass with Tin plated.
- Insulator body(housing): Polyamide 46,30%GF. (UL94V-0.)

**Electrical**

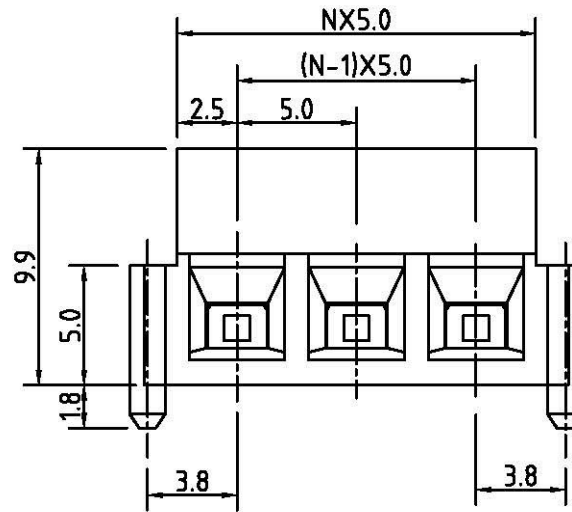
- Voltage rating: 300VAC
- Current rating: 6 Amps/way max
- Contact resistance: 20mΩ(max)
- Insulation resistance: 5000MΩ/1000V
- Withstanding Voltage: 2500VAC(1min) Test time=60sec/1pcs
- Wire range: 14-30AWG

**Mechanical:**

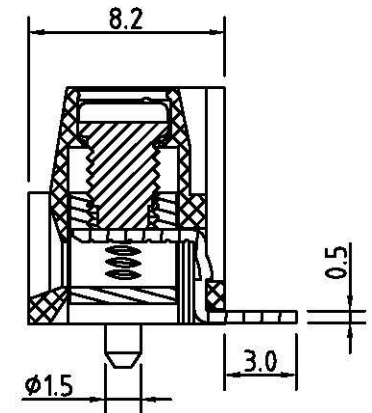
- Torque: 4kgf.cm/M3
- Operating temperature: -40° to +260°C±5°
- Soldering temperature= 250°C/5 seconds max



P.C.B LAYOUT



N=Number of contacts



**RoHS Compliant**

**All Connectors**

www.allconnectors.de  
Tel.: 0049 711 7009503  
70794 Filderstadt Germany

info@allconnectors.de  
Fax: 0049 711 7009504  
Kettnerstr. 25

DRAWING BY CY	
CHECKED BY GENIUS	
UNIT / mm	SCALE 1 : 1
DATE	
SIZE A4	P PROJECTION

TOLERANCES ARE

X ±  
X ± 0.30  
.XX ± 0.10  
.XXX ±  
ANG ±



**ORDER INFORMATION**

TBH050-V10-xx-LF

SERIES | LEADFREE  
02-24WAY  
HIGH 9.9mm  
180°SMT

DESCRIPTION: 5.0mm Series(W/o cover)