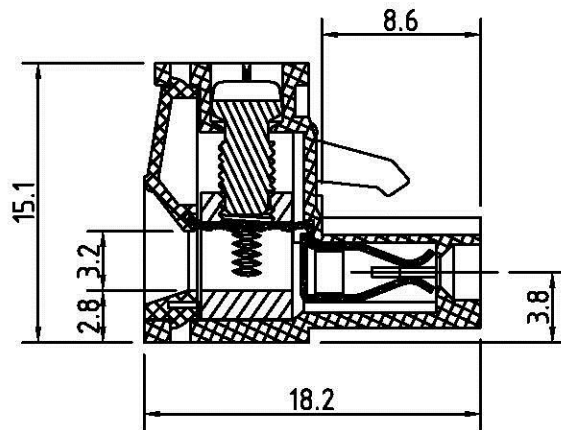


N=Number of contacts



**Technical Data:**

**Material:**

- Contact(metal housing): Brass Machined(Option)
  - Terminal screw: Steel Galvanized and chromitized or Nickel plated or Tin plated(standard)(optian)
  - ⚠ ◦ Wire guard: PhBz, Tin plated.
  - Insulator body(housing): Polyamide(Glass filled)(UL94V-0)
- Electrical**
- ⚠ ◦ Voltage rating: 300VAC
  - ⚠ ◦ Current rating: 10 Amps/way max
  - Contact resistance: 20mΩ(max)
  - Insulation resistance: 5000MΩ/1000V
  - Withstanding Voltage: 1500VAC(1min) Test time=60sec/1pcs
  - ⚠ ◦ Wire range: 12-24AWG

**Mechanical:**

- Torque: 4kgf.cm/M3
- Operating temperature: -33°C to +120°C
- Soldering temperature= 250°C/5 seconds max

P/N	TBH050-SWE0-XX	TBH050-SWEE-XX	TBH050-SW-XX
DWG			

**Allconnectors**

www.allconnectors.de  
Tel.: 0049 711 7009503  
70754 Filderstadt - Germany

info@allconnectors.de  
Fax: 0049 711 7009504  
Kettnerstr. 25

PART NO. TBH050-SW-XX		APPROVED BY CY		TOLERANCES ARE		DESCRIP TION: 5.0 BOARD TO WIRE	
DWG NO. TBH050-SW-XX		DRAWING BY		X ± 0.50 .XX ± 0.30 .XXX ± 0.10 AWG 12-24		AREA	
FILE NO.		PROJECTION				REVISIONS	HK
UNIT / mm	SCALE 1:1						