

Technical Data:

Material:

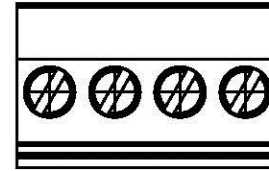
- ⚠ Contact(metal housing): Brass Machined(Option)
- Terminal screw: Steel Galvanized and chromated or Nickel plated or Tin plated(standard)(option)
- Wire guard: PhBZ, Tin plated.
- Insulator body(housing): Polyamide(Glass filled)(UL94V-0)

Electrical

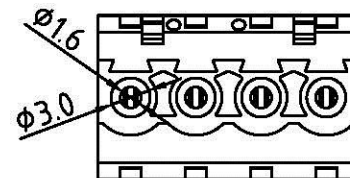
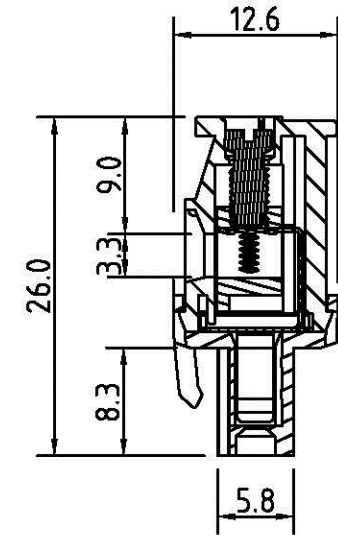
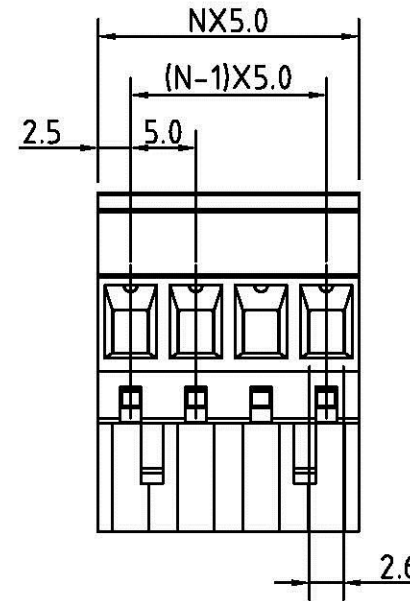
- ⚠ Voltage rating: 300VAC
- ⚠ Current rating: 10 Amps/way max
- Contact resistance: 20mΩ(max)
- Insulation resistance: 5000MΩ/1000V
- Withstanding Voltage: 1500VAC(1min) Test time=60sec/1pcs
- Wire range: 12-24AWG

Mechanical:

- Torque: 4kgf.cm/M3
- Operating temperature: -33°C to +120°C
- Soldering temperature= 250°C/5 seconds max



N=Number of contacts



TBH050-SVA-xx-LF  
LEADFREE

RoHS Compliant

P/N	TBH050-SVAE0-xx	TBH050-SVAEE-xx	TBH050-SVA-xx
DWG			

**All Connectors**

www.allconnectors.de  
Tel.: 0049 711 7009508  
73734 Filderstadt - Germany

info@allconnectors.de  
Fax: 0049 711 7009504  
Kettenerstr. 25

PART NO. TBH050-SVA-xx

DWG NO. TBH050-SVA-xx

FILE NO.

UNIT / mm

SCALE 1:1

CHECKED BY CY

DRAWING BY

PROJECTION

TOLERANCES ARE

.X ± 0.3  
.XX ± 0.1  
.XXX ±  
AWG

DESCRIPTION:

AREA

REVISIONS

HK

DATE