

Technical Data:

Material:

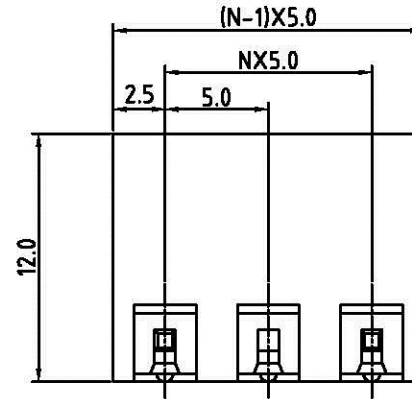
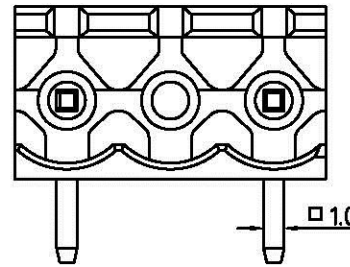
- Solder Pin: Brass with Tin plated
- Insulator body(housing): Polyamide(Glass filled)(UL94V-0)

Electrical

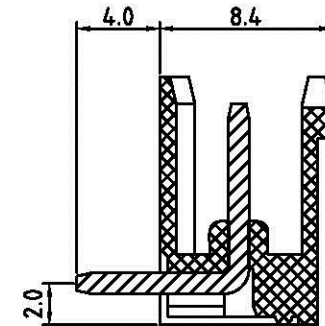
- Voltage rating: 300VAC
- Current rating: 10A
- Insulation resistance: 500M Ω at DC 500V
- Withstanding Voltage: AC 1500V(1min)

Mechanical:

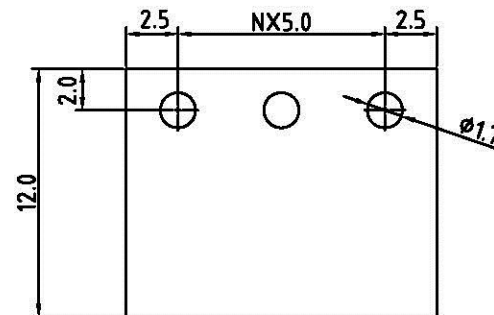
- Using temperature Range: -40°C to +105°C
- Soldering temperature:+250°,5seconds Max.



N=Number of contacts



PCB. LAYOUT



TBH050-PR-xxEE-LF
LEADFREE

RoHS Compliant

Allconnectors

www.allconnectors.de
Tel: 0049 711 2009503
70794 Ulm/Heidenstadt - Germany

info@allconnectors.de
Fax: 0049 711 2009504
Kontaktform. 25

PART NO. TBH050-PR-xxEE

DWG NO. TBH050-PR-xxEE

FILE NO.

UNIT / mm

SCALE 1:1

APPROVED BY CY

DRAWING BY

PROJECTION



TOLERANCES ARE

X ± 0.3
XX ± 0.1
XXX
AWG

DESCRIPTION: 5.0mm 90度 / OPEN SERIES

AREA

REVISIONS

HK

DATE