

Technical Data:

Material:

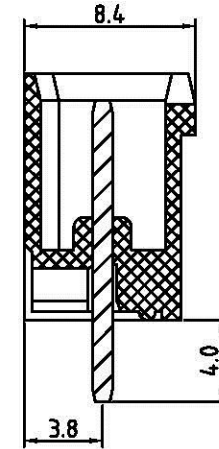
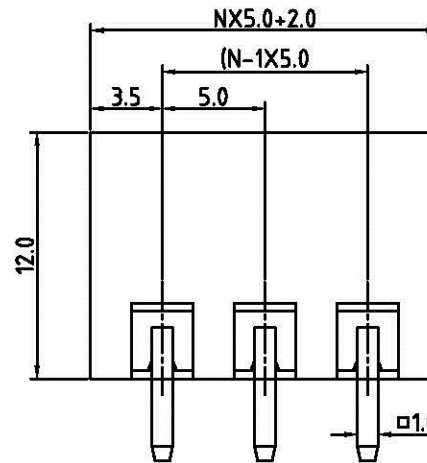
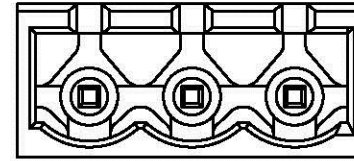
- Solder Pin: Brass with Tin plated
- Insulator body(housing): Polyamide(Glass filled)(UL94V-0)

Electrical

- Voltage rating: 300VAC
- Current rating: 10A
- Insulation resistance: 500MΩ at DC 500V
- Withstanding Voltage: AC 1500V(1min)

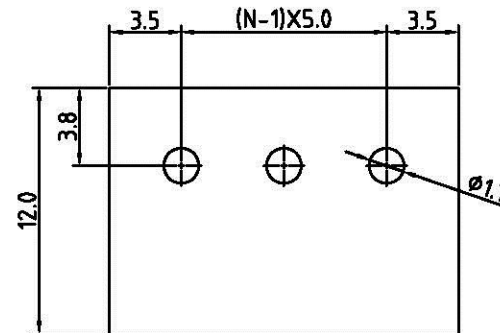
Mechanical:

- Using temperature Range: -40°C to +105°C
- Soldering temperature:+250°,5seconds Max.



N=Number of contacts

P.C.B. LAYOUT



TBH050-PDB-xx-LF
LEADFREE

All Connectors

www.allconnectors.de
Tel.: 0049 711 7009503
70794 Filderstadt - Germany

info@allconnectors.de
Fax: 0049 711 7005504
Kellernstr. 25

PART NO. TBH050-PDB-xx

DWG NO. TBH050-PDB-xx

FILE NO.

UNIT / mm

SCALE 1:1

APPROVED BY CY

DRAWING BY

PROJECTION



TOLERANCES ARE

.X ± 0.3
.XX ± 0.1
.XXX
AWG

DESCRIPTION:

5.0mm 180° / CLOSE SERIES

AREA

REVISIONS

HK

DATE