

**Technical Data:**

**Material:**

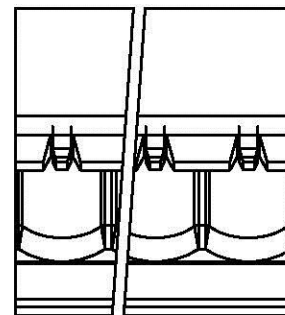
- Solder Pin: Brass with Tin plated
- Insulator body(housing): Polyamide(Glass filled)(UL94V-0)

**Electrical**

- Voltage rating: 250VAC
- Current rating: 15A
- Insulation resistance: 500MΩ at DC 500V
- Withstanding Voltage: AC 1500V(1min)

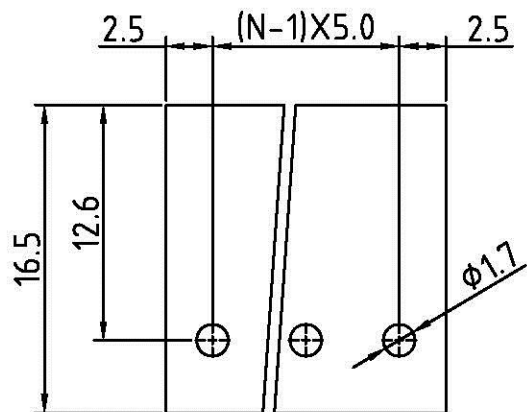
**Mechanical:**

- Using temperature Range: -40°C to +105°C
- Soldering temperature: +250°, 5seconds Max.

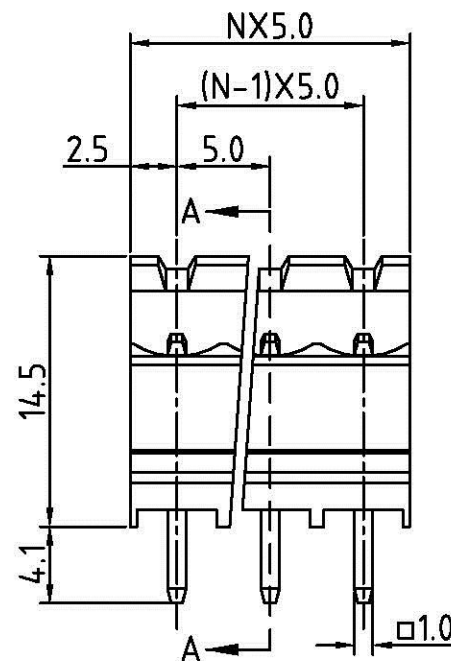


TBH050-PA-xx-LF  
LEADFREE

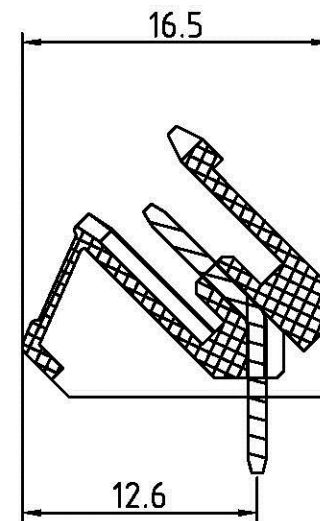
RoHS Compliant



P.C.B LAYOUT



N=Number of contacts



SECTION A-A

**All Connectors**

www.allconnectors.de  
Toll: 0049 711 7009503  
70734 Filzbaden, Germany

info@allconnectors.de  
Fax: 0049 711 7009504  
Kontakt@mc.25

PART NO. TBH050-PA-xx

DWG NO. TBH050-PA-xx

FILE NO.

UNIT / mm

SCALE 1:1

CHECKED BY CY

DRAWING BY

PROJECTION

TOLERANCES ARE

.X ± 0.3  
.XX ± 0.1  
XXX ±  
AWG

DESCRIPTION: 5.0mm 45° Series (Open)

AREA	REVISIONS	HK	DATE	
------	-----------	----	------	--