

Technical Data:

Material:

- Contact(metal housing): Steel Stamping
- Terminal screw: Steel galvanized and achromatized or Nickel plated or Tin plated(standard)(optian)
- Solder Pin: Brass with Tin plated
- Insulator body(housing): Polyamide(Glass filled)(UL94V-0)

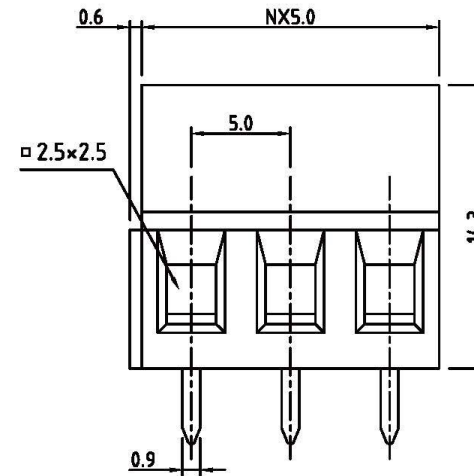
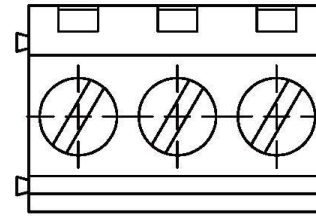
Electrical

- Voltage rating: 300VAC
- Current rating: 10 Amps/way max
- Contact resistance: 20mΩ(max)
- Insulation resistance: 5000MΩ/1000V
- Withstanding Voltage: 1500VAC(1min) Test time=60sec/1pcs
- Wire range: 12-22AWG

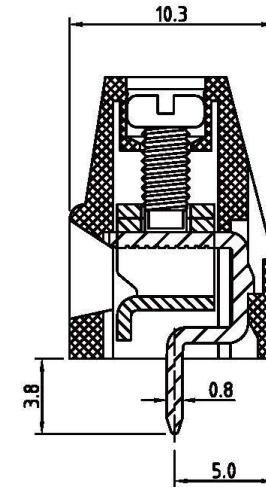
Mechanical:

- Torque: 3kgf.cm/M2.5
- Operating temperature: -33°C to +120°C
- Soldering reliability:
Test temperature= 250°C±10°C
5 seconds max

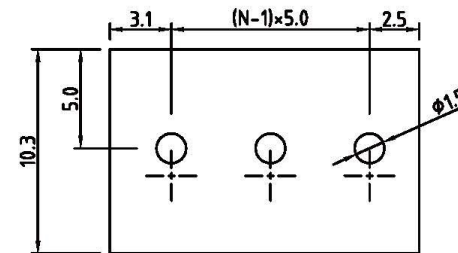
Safety approval data:



N=Number of contacts



P.C.B LAYOUT



RoHS Compliant

TOLERANCES ARE

All Connectors

DRAWING BY CY

CHECKED BY GENIUS

UNIT/ mm

SCALE 1 : 1

DATE

SIZE A4

P PROJECTION

X ±
.X ±
.XX ±
.XXX ±
ANG ±



ORDER INFORMATION

TBH050-D14-xx-LF

SERIES | LEADFREE
02~28WAY
HIGH 14.0mm
DIP 180°

DESCRIPTION:

www.allconnectors.de

info@allconnectors.de

Tel.: 0049 711 7009503

Fax: 0049 711 7009504

70794 Filderstadt - Germany

Kettenerstr. 25