

Technical Data:

Material:

- ▲ ● Contact(metal housing): Zinc Die Casting or Brass Machined(Option)
- Terminal screw: Steel galvanized and chromate or Nickel plated or Tin plated (standard) (option)
- Solder Pin: Brass with Tin plated
- Insulator body(housing): Polyamide(Glass filled)(UL94V-0)

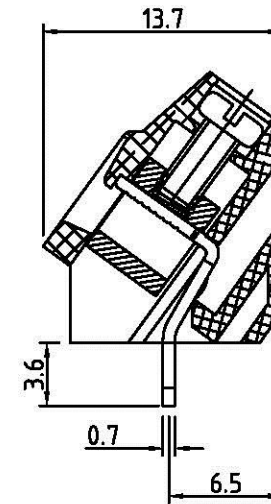
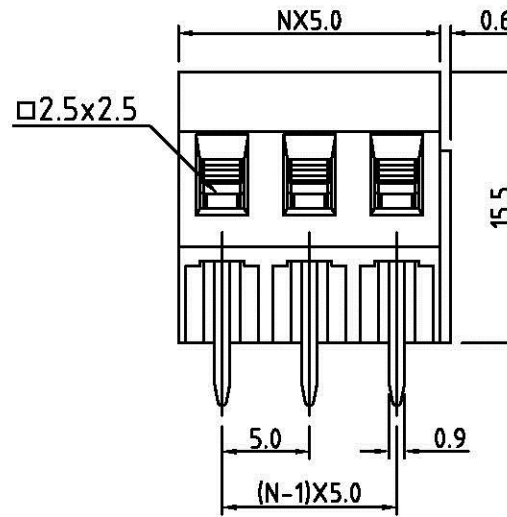
Electrical

- Voltage rating: 300VAC
- Current rating: 10 Amps/way max
- Contact resistance: 20mΩ(max)
- Insulation resistance: 5000MΩ/1000V
- Withstanding Voltage: 1500VAC(1min) Test time=60sec/1pcs
- Wire range: 12-24AWG

Mechanical:

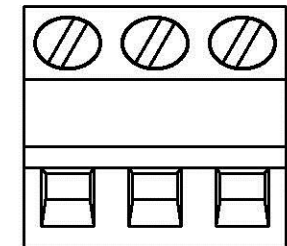
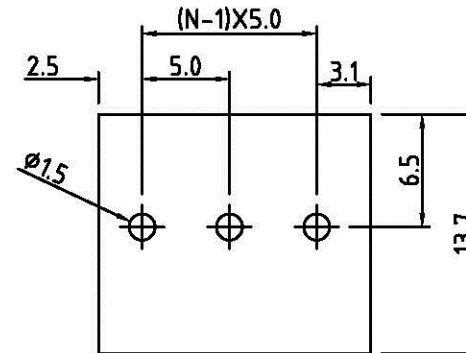
- ▲ ● Torque: 4kgf.cm/M2.5
- Operating temperature: -33°C to +120°C
- Soldering reliability:
Test temperature= 250°C±10°C
5 seconds max

Safety approval data:



N=Number of contacts

P/N	TBH050-A15E0-XX	TBH050-A15EE-XX	TBH050-A15-XX
DWG			



P.C.B. LAYOUT

All Connectors

www.allconnectors.de
Tel.: 0049 711 7009503
70724 Filberstadt - Germany

info@allconnectors.de
Fax: 0049 711 7005504
Kettnerstr. 25

PART NO. TBH050-A15-xx

DWG NO. TBH050-A15-xx

FILE NO.

UNIT / mm

SCALE 1:1

APPROVED BY CY

DRAWING BY

PROJECTION



TOLERANCES ARE

X. ± 0.50
XX. ± 0.30
XXX. ± 0.10
AWG

DESCRIPTION:

AREA

REVISIONS

HK

DATE