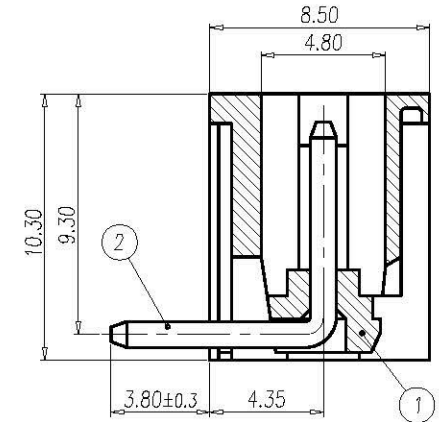
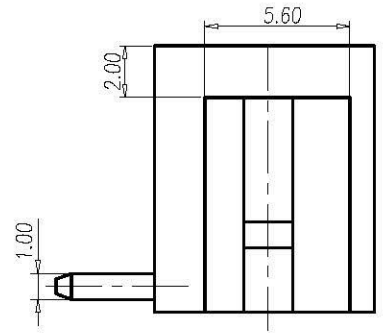
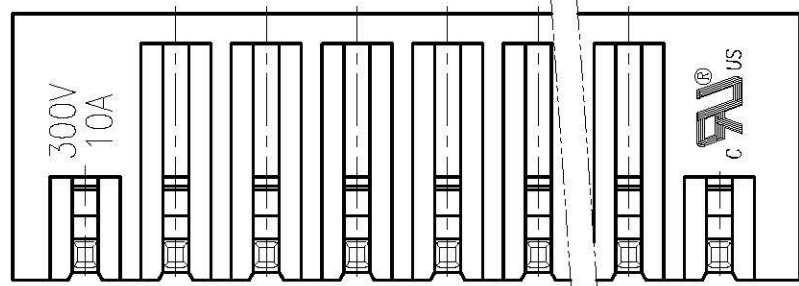


P.C.B. LAYOUT



- NOTES:
1. Rating: 300V 10A
PITCH: 3.50mm
 2. Insulation Withstands Voltage:
AC 1500V at 1 minute
 3. Insulation Resistance:
500MΩ or more at DC500V
 4. Using Temperature Range:
-40°C~+105°C
 5. RoHS Compliance.

Normal Geometric Tolerancing			
—	//	≡	⊥
0 to 100	0.2	0 to 10	0.2
over 100 to 150	0.3	over 10	0.3
over 150	0.5		
Total Pitch Tolerances		Normal dimension Tolerances	
0<U<=30	±0.20	0~30	±0.25
30<U<=53	±0.25	over 30~53	±0.30
53<U<=70	±0.30	over 53~70	±0.35
70<U<=90	±0.35	over 70~90	±0.44
90<U<=115	±0.44	over 90~115	±0.55

ITEM	NAME OF PART	MATERIAL	NOTES
2	SOLDER PIN	COPPER ALLOY	Tin Plated
1	HOUSING	PA66	UL94-V0 GREY

All Connectors
www.allconnectors.de
Tel.: 0049 711 7009503
70/91 Hilderstadt - Germany

info@allconnectors.de
Fax: 0049 711 7009504
Kettnerstr. 25

PART NO. TBY035-PRB-xx		CHECKED BY CY	TOLERANCES ARE	DESCRIPTION:	AREA	REVISIONS	HK	DATE
DWG NO. TBY035-PRB-xx								
FILE NO.		DRAWING BY	X ± 0.2 .XX ± .XXX ± AWG					
UNIT / mm	SCALE 1:1	PROJECTION						