



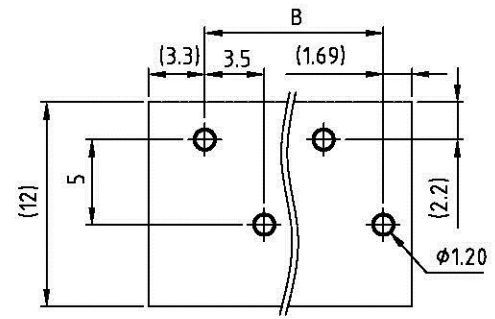
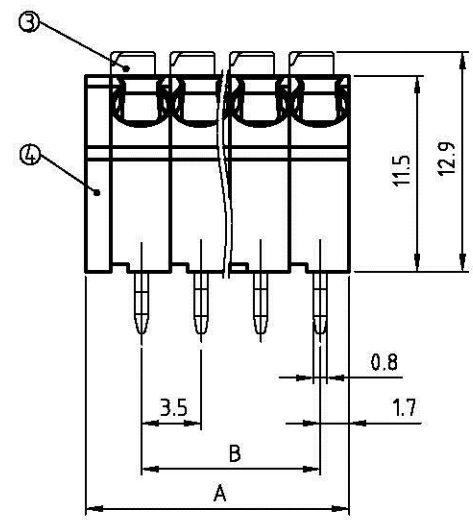
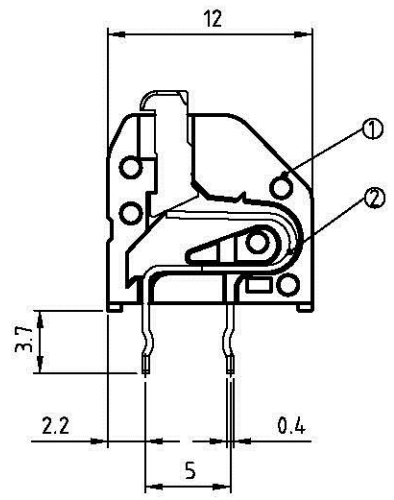


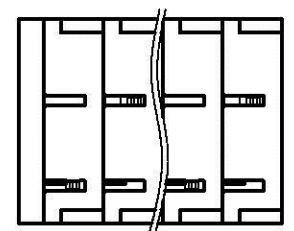
Material:

- Item ① Insulating body: Thermoplastic (UL94V-0)
- Item ② Wire guard : PhBz Tin plated.
- Item ③ Insulating lever : Thermoplastic (UL94V-0)
- Item ④ Side Cover : Thermoplastic (UL94V-0)

⚠ ⚠	Electrical:	cULus	VDE	CQC	TUV
●	Voltage rating:	300V	130V	300V	500V
●	Current rating:	6A	6A	6A	8A
●	Wire range:	0.5-0.75 mm ²		0.5-1.5 mm ²	
●	Solid wire(AWG):	16-20		16-20	
●	Stranded wire(AWG):	16-20		16-20	
⚠ ●	Wire strip length:	8.5-9.5mm			
●	Withstanding Voltage:	1.6KV	1.25KV	1.6KV	4KV
⚠ ●	Operating temperature:	-40°C to +115°C			
⚠ ●	Soldering temperature:	250°C ±10°C/5 Sec			
⚠ ●	Safety Approval:	   			



P.C.B Layout



TBX035-A12-xxR-LF
LEADFREE
RoHS Compliant

POLE		2	3	4	5	6	7	8	9	10	11	12	
A		8.50	12.00	15.50	19.00	22.50	26.00	29.50	33.00	36.50	40.00	43.50	
B		3.50	7.00	10.50	14.00	17.50	21.00	24.50	28.00	31.50	35.00	38.50	
Tol.		±0.10						±0.15					
POLE	13	14	15	16	17	18	19	20	21	22	23	24	
A	47.00	50.50	54.00	57.50	61.00	64.50	68.00	71.50	75.50	78.50	82.00	85.50	
B	42.00	45.50	49.00	52.50	56.00	59.50	63.00	66.50	70.00	73.50	77.00	80.50	
Tol.		±0.20						±0.30					

All connectors

www.allconnectors.de
Tel.: 0049 711 7099503
70794 Filderstadt - Germany

info@allconnectors.de
Fax: 0049 711 7099504
Kettenmstr. 25

PART NO. TBX035-A12-xxR

DWG NO. TBX035-A12-xxR

CHECKED BY CY

TOLERANCES ARE

DESCRIPTION:


FILE NO.

DRAWING BY

X ± 0.2
.XX ±
.XXX ±
AWG

UNIT / mm

SCALE 1:1

PROJECTION 

AREA

REVISIONS

HK

DATE