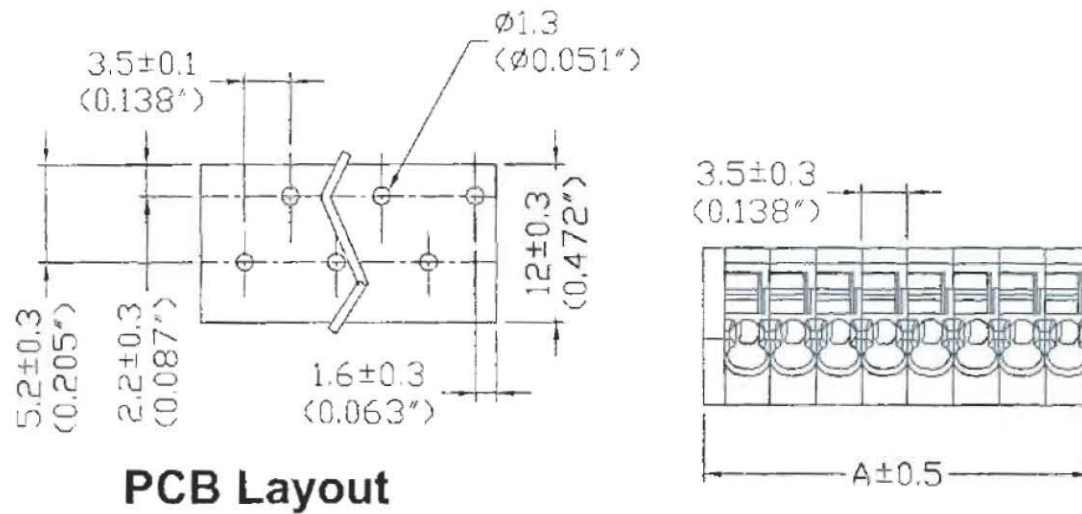


Current rating : 6Amp AC300V
 Operation temperature : -40°C to +105°C
 Wire strip length : 7.5~8.5mm
 Wire range : 14~20AWG

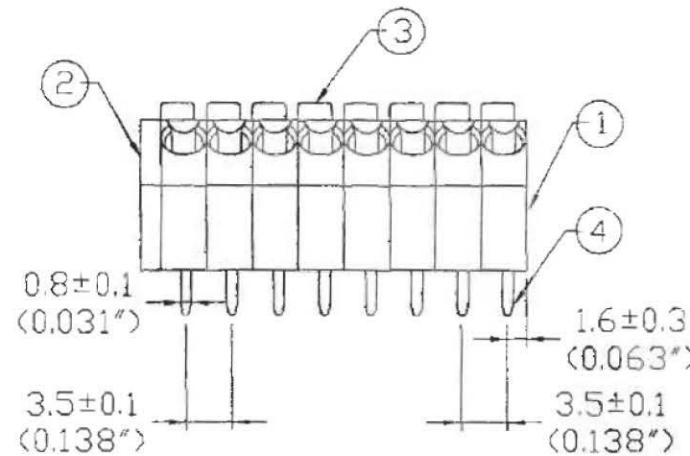
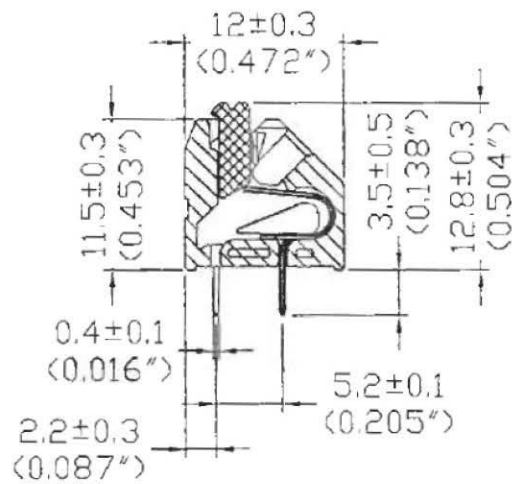
	Material	Plating/Finish	Remark
1	Insulating body	Polyamide 66(UL94V-0)	Green
2	Cover	Polyamide 66(UL94V-0)	Green
3	Lever	Polyamide 66(UL94V-0)	Orange
4	Terminal	Phosphor bronze	Tin plated

TBX035-A12-xxL-LF
 LEADFREE
 RoHS Compliant

Pitch : 3.50mm(0.138inch)					
Poles	A(mm)	A(inch)	Poles	A(mm)	A(inch)
2	8.50	0.335	15	54.00	2.126
3	12.00	0.472	16	57.50	2.264
4	15.50	0.610	17	61.00	2.402
5	19.00	0.748	18	64.50	2.539
6	22.50	0.886	19	68.00	2.677
7	26.00	1.024	20	71.50	2.815
8	29.50	1.161	21	75.00	2.953
9	33.00	1.299	22	78.50	3.091
10	36.50	1.437	23	82.00	3.228
11	40.00	1.575	24	85.50	3.366
12	43.50	1.713	25	89.00	3.504
13	47.00	1.850			
14	50.50	1.988			



PCB Layout



All Connectors

www.allconnectors.de
 Tel.: 0049 711 7009503
 70794 Filzbergstr. Germany

info@allconnectors.de
 Fax: 0049 711 7009504
 Kettnerstr. 25

PART NO. TBX035-A12-xxL

DWG NO. TBX035-A12-xxL

FILE NO.

UNIT / mm

SCALE 1:1

CHECKED BY CY

DRAWING BY

PROJECTION



TOLERANCES ARE

.X ± 0.2
 .XX ±
 .XXX ±
 AWG

DESCRIPTION:

AREA

REVISIONS

HK

DATE