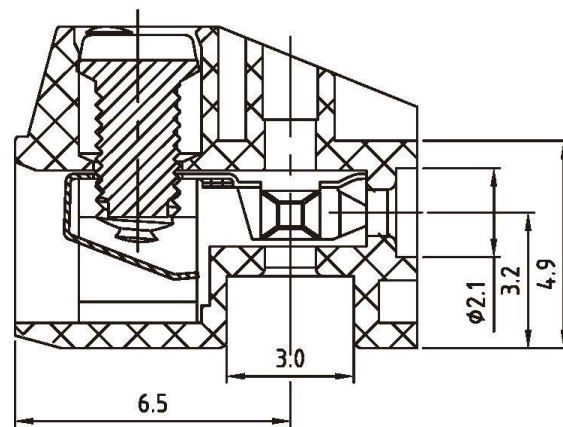


N=Number of poles



Material

- Terminal body (Contact pin): Brass(Cuzn)
- Terminal screw: Steel Zinc plating:“-”slot type
- Wire guard: Copper Alloy
- Insulator (housing): Thermoplastic (UL94V-0)

Electrical

- Voltage rating: 150VAC
- Current rating: 10A
- Wire range:
- Solid wire(AWG): 16-28
- Stranded wire(AWG):16-28
- Torque(Lb-In): 1.7
- Screw: M2
- Wire strip length: 5-6mm
- Withstanding Voltage: 1.3KV
- Operating temperature: -30° C to +105° C

All Connectors

www.allconnectors.de info@allconnectors.de
Tel.: 0049 711 7009503 Fax: 0049 711 7009504
70794 Filderstadt - Germany Kettnerstr. 25

RoHS Compliant

DRAWING BY CY
CHECKED BY GENIUS
UNIT / mm SCALE 1 : 1
DATE
SIZE A4

TOLERANCES ARE

X. ±
X ±
.XX ±
.XXX ±
ANG ±

PJECTION



ORDER INFORMATION

TBN035-SW-xx-LF
SERIES | | | LEADFREE
| | | 02~24WAY
| | | SCREW WIRE
| | | FEMALE

DESCRIPTION: