

Technical Data:

Material:

- Contact(metal housing): Brass (CuZn)
- Terminal screw: Steel galvanized and chromate or Nickel plated or Tin plated(standard)(option)
- Wire guard: Stainless steel
- Surface of solder tail: tin plated
- Insulator body(housing): Polyamide(Glass filled)(UL94V-0)

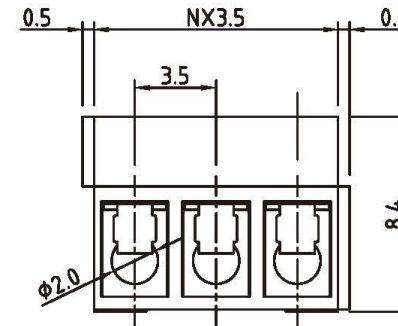
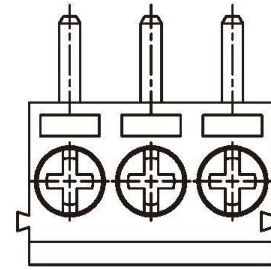
Electrical

- Voltage rating: 125VAC
- Current rating: 10 Amps/way max
- Contact resistance: 20mΩ(max)
- Insulation resistance: 5000MΩ/1000V
- Withstanding Voltage: 1500VAC(1min) Test time=60sec/1pcs
- Wire range: 16-26AWG

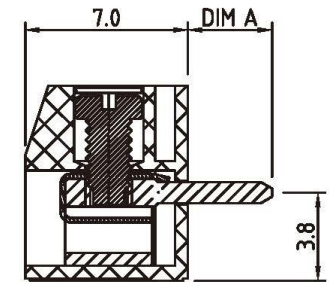
Mechanical:

- Torque: 2kg-cm/M2
- Operating temperature: -33°C to +120°C
- Soldering ability: 95%coverage(min)
Test temperature= 230°C±10°C
Test time= 4sec±0.5sec
- Soldering reliability:
Test temperature= 250°C±10°C
5 seconds max

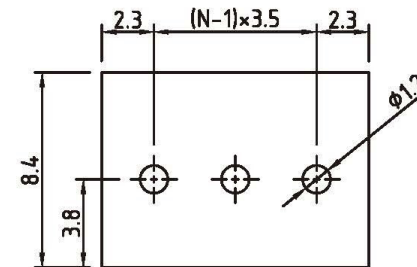
Safety approval data:



N=Number of contacts



P.C.B. LAYOUT



DIM A Length

Code	DIM A
0	4.4mm
1	3.8mm

RoHS Compliant

All Connectors

www.allconnectors.de info@allconnectors.de
Tel.: 0049 711 7009503 Fax: 0049 711 7009504
70794 Filderstadt - Germany Kettnerstr. 25

DRAWING BY CY	
CHECKED BY GENIUS	
UNIT / mm	SCALE 1 : 1
DATE	
SIZE A4	PJECTION

TOLERANCES ARE

X. ±
.X ±
.XX ±
.XXX ±
ANG ±



ORDER INFORMATION

TBN035-R08-xx-LF
SERIES | LEADFREE
02~24WAY
LONG 8.4mm
DIP 90°

DESCRIPTION: