

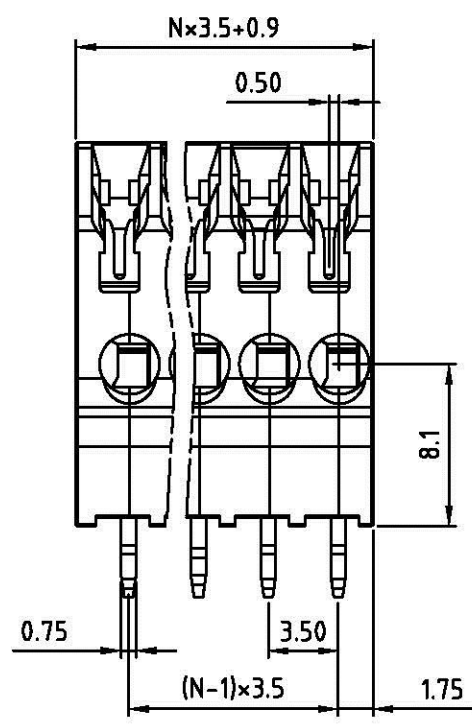
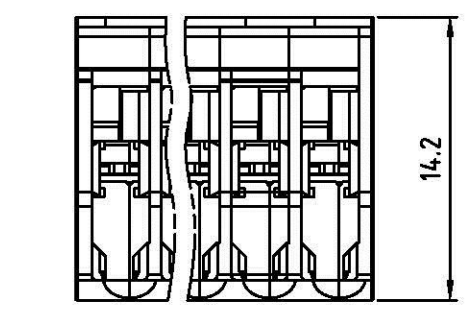
Material

- Contact pin : PhBz
- Surface of solder tail : Tin plated
- Insulator (housing): Thermoplastic (UL94V-0)

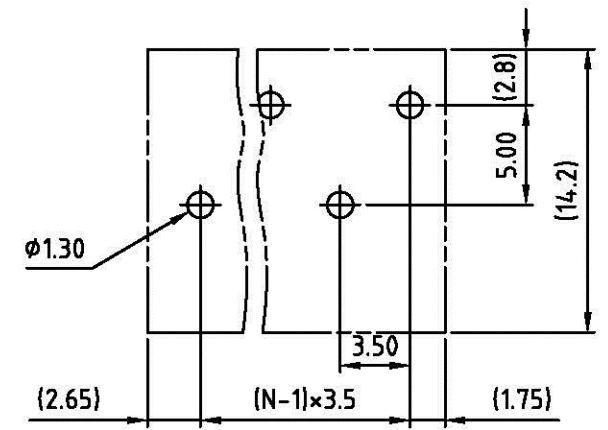
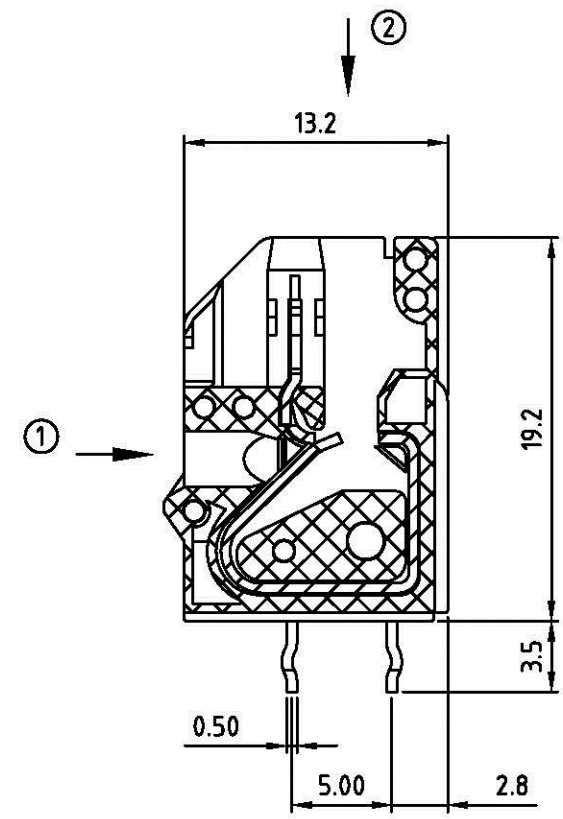
Electrical

- Voltage rating: 500V
- Current rating: 2A
- Wire range:
- Phsh-Wire Connection: AWG 16-20 "sol" ①
- Wire strip length: 7.5-8.5mm
- IDC Connection: AWG 20 "sol" ②
- Withstanding Voltage: 2KV
- Operating temperature: -30°C to +105°C
- Soldering temperature: 250°C±10°C/5 Sec

TBI035-D19L-xx-LF
LEADFREE
RoHS Compliant



N=NUMBER OF CONTACTS



RECOMMENDED PCB LAYOUT



www.allconnectors.de
Tcl.: 0049 711 7009503
70754 Filderstadt - Germany

info@allconnectors.de
Fax: 0049 711 7009504
Kettenerstr. 25

A	PART NO. TBI035-D19L-xx		CHECKED BY CY	TOLERANCES ARE .X±0.2 .XX± XXX± AWG	DESCRIPTION:			
	DWG NO. TBI035-D19L-xx							
	FILE NO.		PROJECTION		AREA	REVISIONS	HK	DATE
	UNIT / mm	SCALE 1:1						