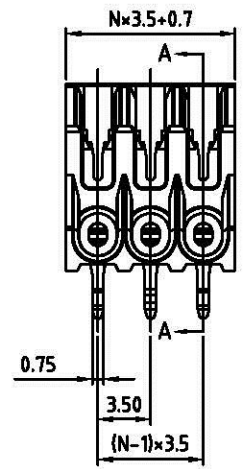
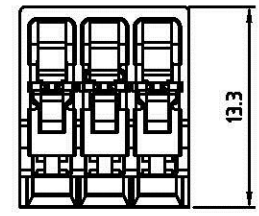


Material:

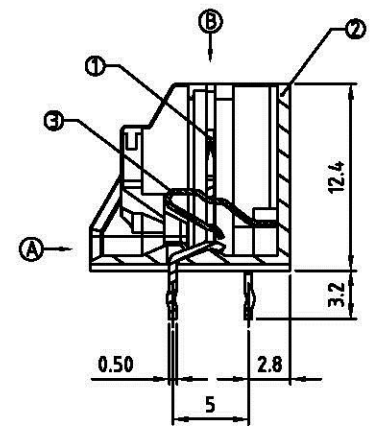
- Item ① Contact pin: Brass(CuZn) Tin plated
- Item ② Insulator(housing): Thermoplastic (UL94V-0)
- Item ③ Wire guard: Stainless steel

Electrical: cULus

- Voltage rating: 500V
- Current rating: 2A
- Wire range:
- Push-Wire Connection: AWG 16-20 "sol" (A)
- Wire strip length: 7.5-8.5mm
- IDC Connection: AWG 20 "sol" (B)
- Withstanding Voltage: 2KV
- Operating temperature: -30°C to +105°C
- Soldering temperature: 250°C ±10°C/5 Sec



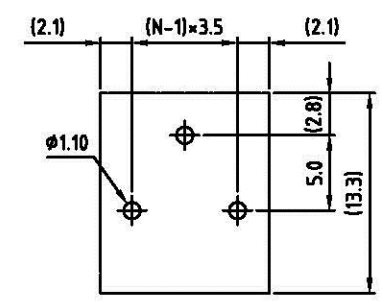
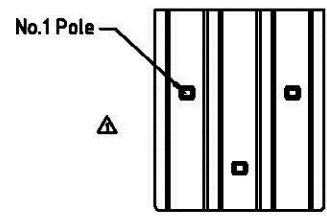
N=Number of Contacts



SECTION A-A

TBI035-D12L-xx-LF
LEADFREE

RoHS Compliant



PCB Layout



www.allconnectors.de info@allconnectors.de
Tel.: 0049 711 7009502 Fax: 0049 711 7009504
70794 Filderstadt Germany Kettelerstr. 25

A	PART NO. TBI035-D12L-xx		CHECKED BY CY	TOLERANCES ARE .X ± 0.2 .XX ± XXX ± AWG	DESCRIPTION:				
	DWG NO. TBI035-D12L-xx								
	UNIT / mm	SCALE 1:1	PROJECTION		AREA	REVISIONS	HK	DATE	