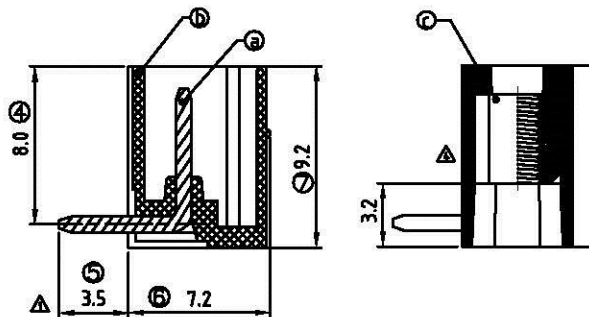
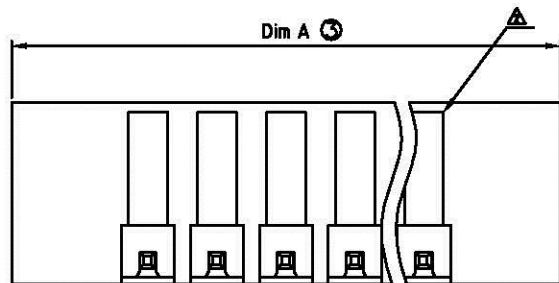


N= Number of contacts

A	$(N-1) \times 3.5 + 13.8$
B	$(N-1) \times 3.5$

2p-6p	± 0.15
7p-12p	± 0.20
13p-16p	± 0.25
17p-24p	± 0.30

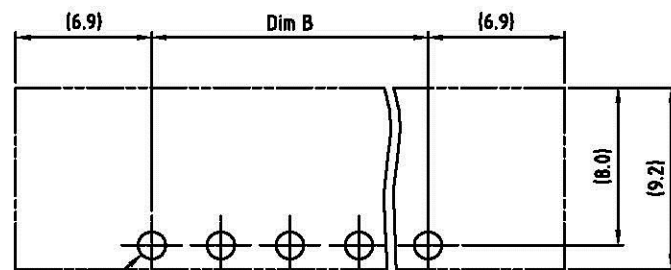


Material:

- Item 3 Male contact pin: Copper C1100 Tin plated
- Item 2 Terminalhousing: Thermoplastic (UL94V-0)
- Item 1 With flange nut: Brass M2.5

- Electrical: cULus /CSA /VDE
- Voltage rating: 300V/125V/125V
- Current rating: 10A/8A/10.5A
- Withstanding Voltage: 1.6 KV/1.6KV/2.5KV
- Operating temperature: -40°C to $+15^{\circ}\text{C}$
- Soldering temperature: $250^{\circ}\text{C} \pm 10^{\circ}\text{C}/5$ Sec
- Safety Approval:

TBH035-PRCF-xx-LF
LEADFREE
RoHS Compliant



$\phi 1.40$ RECOMMENDED PCB LAYOUT

Allconnectors

www.allconnectors.de
Tel.: 0049 711 7009508
70794 Filderstadt - Germany

info@allconnectors.de
Fax: 0049 711 7009504
Kettnerstr. 25

PART NO. TBH035-PRCF-xx

DWG NO. TBH035-PRCF-xx

FILE NO.

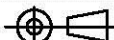
UNIT / mm

SCALE 1:1

CHECKED BY CY

DRAWING BY

PROJECTION



TOLERANCES ARE

.X ± 0.2
.XX \pm
.XXX \pm
AWG

DESCRIPTION:

AREA

REVISIONS

HK

DATE