

Technical Data:

Material:

- Solder Pin: Brass with Tin plated
- Insulator body(housing): Polyamide(Glass filled)(UL94V-0)

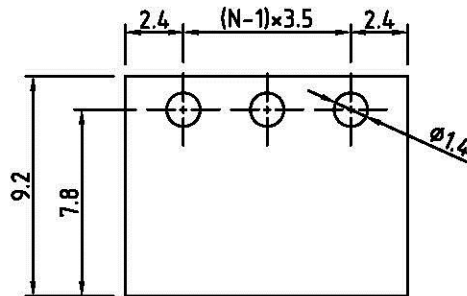
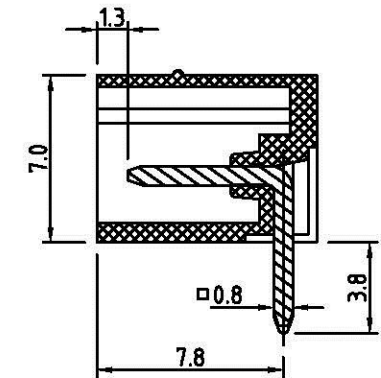
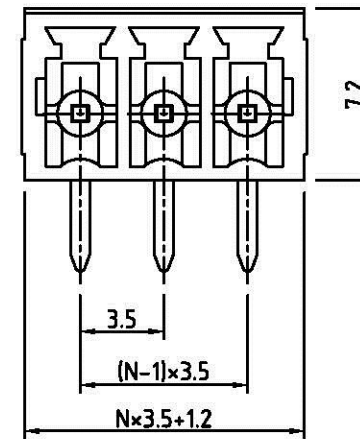
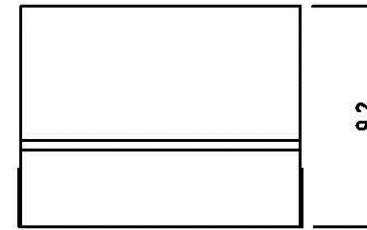
Electrical

- Voltage rating: 125VAC
- Current rating: 8A.
- Insulation resistance: 500MΩ at DC 500V
- Withstanding Voltage: AC 1200V(1min)

Mechanical:

- Using temperature Range: -40°C to +105°C
- Soldering temperature: +250°, 5seconds Max.

Safety approval data:



P.C.B. LAYOUT

N=Number of contacts

TBH035-PRC-xx-LF

LEADFREE

RoHS Compliant

P/N	TBH035-PRCE0-xx	TBH035-PRCEE-xx	TBH035-PRC-xx
DWG			

Allconnectors

www.allconnectors.de
Tel.: 0049 711 7009503
70754 Pliesterfeld - Germany

info@allconnectors.de
Fax: 0049 711 7009504
Kettnerstr. 25

PART NO. TBH035-PRC-xx

DWG NO. TBH035-PRC-xx

FILE NO.

UNIT / mm

SCALE 1:1

CHECKED BY CY

DRAWING BY

PROJECTION



TOLERANCES ARE

.X ± 0.3
.XX ± 0.1
.XXX ±
AWG

DESCRIPTION:

3.5mm CLOSE/90° SERIES

AREA

REVISIONS

HK

DATE