

Technical Data:

Material:

- Solder Pin: Brass with Tin plated
- Insulator body(housing): Polyamide(Glass filled)(UL94V-0)

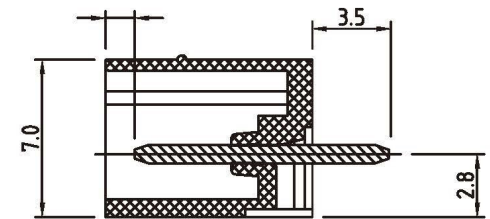
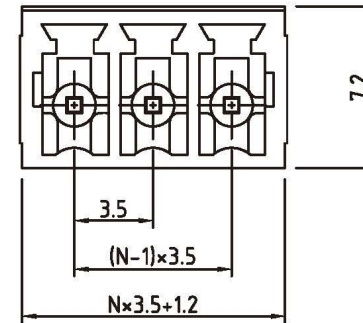
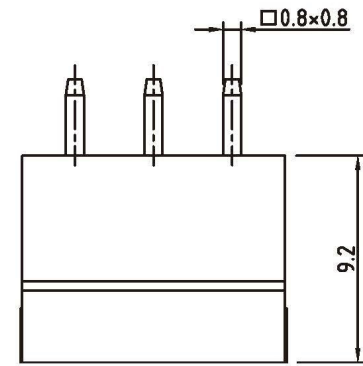
Electrical

- Voltage rating: 125VAC
- Current rating: 8A.
- Insulation resistance: 500MΩ at DC 500V
- Withstanding Voltage: AC 1200V(1min)

Mechanical:

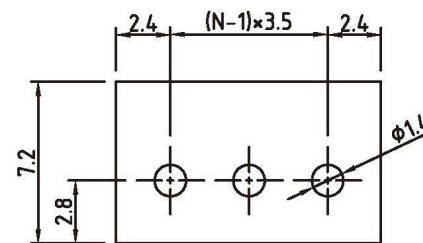
- Using temperature Range: -40°C to +105°C
- Soldering temperature: +250°, 5seconds Max.

Safety approval deta: 



N=Number of contacts

P.C.B. LAYOUT




All Connectors

www.allconnectors.de info@allconnectors.de
Tel.: 0049 711 7009503 Fax: 0049 711 7009504
70794 Filderstadt - Germany Kettnerstr. 25

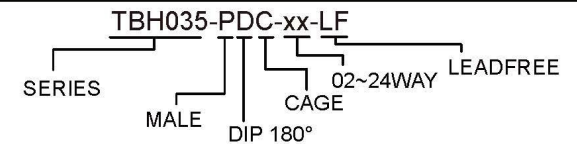
RoHS Compliant

TOLERANCES ARE

DRAWING BY CY		X ± .X ± 0.30 .XX ± 0.10
CHECKED BY GENIUS		
UNIT/ mm	SCALE 1 : 1	.XXX ±
DATE		ANG ±
SIZE A4	PROJECTION 	



ORDER INFORMATION



DESCRIPTION: