

**Technical Data:**

**Material:**

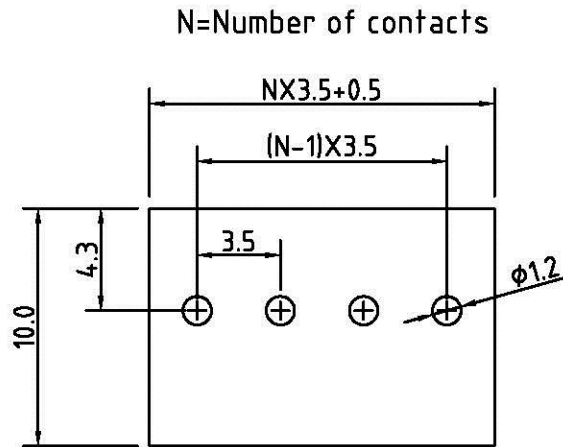
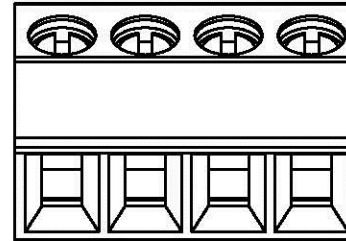
- Contact(metal housing): Brass Machined(Option)
- Terminal screw: Steel Galvanized and chromated or Nickel plated or Tin plated(standard)(option)
- Solder Pin: Brass with Tin plated
- Insulator body(housing): Polyamide(Glass filled)(UL94V-0)

**Electrical**

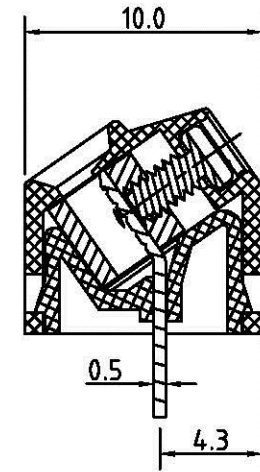
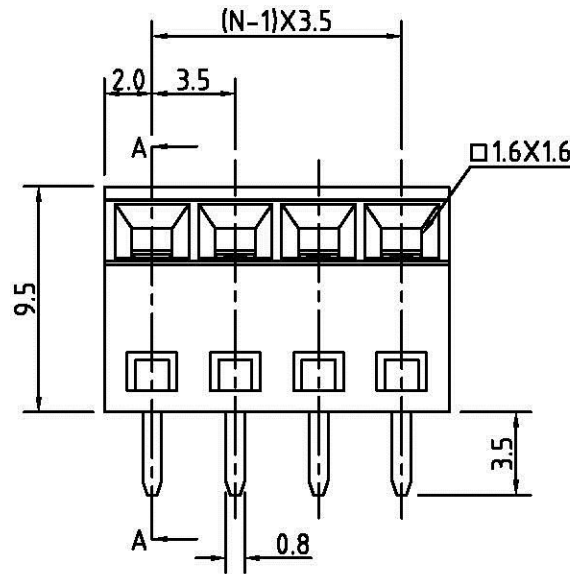
- Voltage rating: 300VAC
- Current rating: 10 Amps/way max
- Contact resistance: 20mΩ(max)
- Insulation resistance: 5000MΩ/1000V
- Withstanding Voltage: 1500VAC(1min) Test time=60sec/1pcs
- Wire range: 16-28AWG

**Mechanical:**

- Torque: 2kgf.cm/M2
- Operating temperature: -33°C to +120°C



P.C,B, LAYOUT



SECTION A-A

**All Connectors**

www.allconnectors.de  
Tel.: 0049 711 7005903  
20751 Filzschmitt - Germany

info@allconnectors.de  
Fax: 0049 711 7005904  
Kette-metall.de

PART NO. TBH035-A09-xx

DWG NO. TBH035-A09-xx

FILE NO.

UNIT / mm

SCALE 1:1

CHECKED BY CY

DRAWING BY

PROJECTION



TOLERANCES ARE

.X ± 0.5  
.XX ± 0.3  
.XXX ± 0.1  
AWG

DESCRIPTION: 3.5mm SERIES

AREA

REVISIONS

HK

DATE