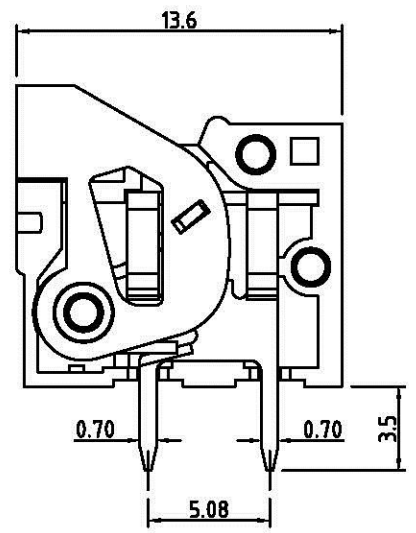
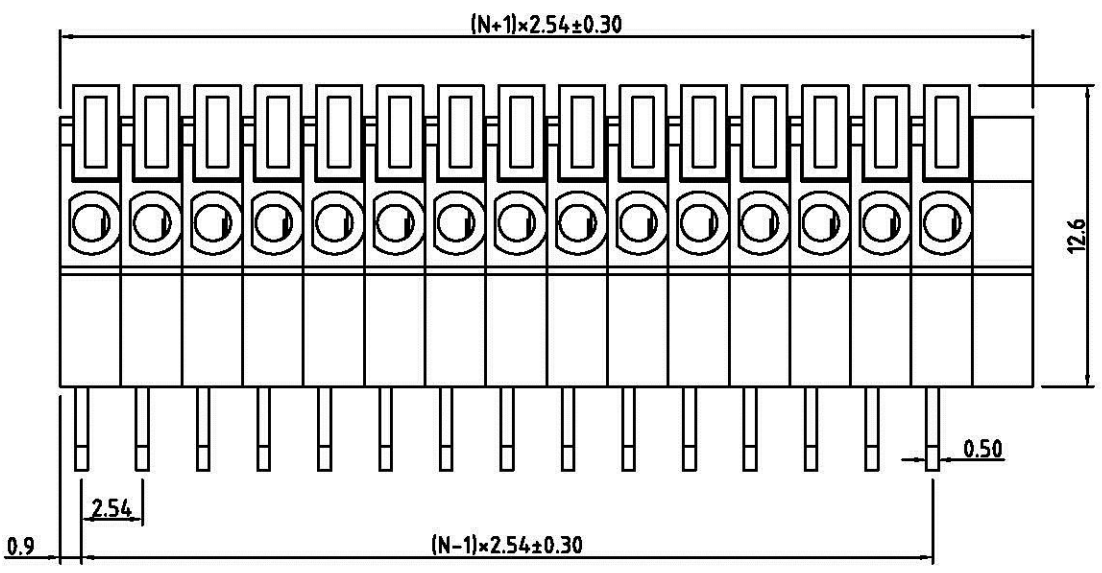
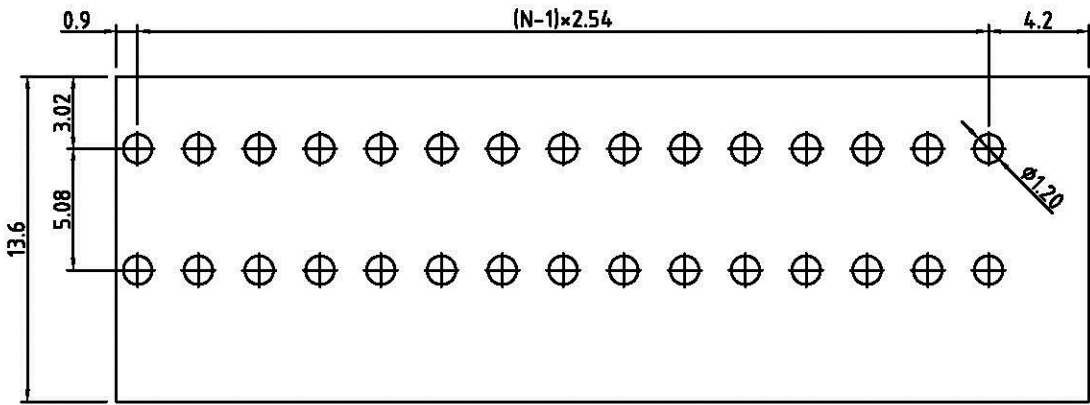


1 2 3 4 5 6 7 8 9 0



N=Number of contacts
P.C.B LAYOUT



Technical Data:

Material:

- Contact : Brass
- Wire guard : stainless steel
- Surface of solder tail : Tin plated
- Insulator body(housing) : Polyamide(Glass filled){UL94V-0}

Electrical

- Voltage rating : 150VAC
- Current rating : 2Amps/way max
- Contact resistance : 20mΩ(max)
- Insulation resistance : 1000MΩ min.
- Wire range : 20-26AWG

Mechanical:

- Operating temperature : -55°C to +105° C
- Test temperature= 250°C 5 seconds max.

TBX026-R12-xx-LF
LEADFREE

RoHS Compliant

All Connectors
www.allconnectors.de
Tel.: 0343 711 7002503
70754 Filderstadt - Germany

info@allconnectors.de
fax: 0343 711 7002504
kettnerstr. 25

PART NO. TBX026-R12-xx

DWG NO. TBX026-R12-xx

CHECKED BY CY

FILE NO.

DRAWING BY

UNIT / mm

SCALE 1:1

PROJECTION

TOLERANCES ARE
.X ± 0.3
.XX ± 0.1
.XXX ±
AWG

DESCRIP TION:			
AREA	REVISIONS	HK	DATE

A

B

E

F

G

H

I

J